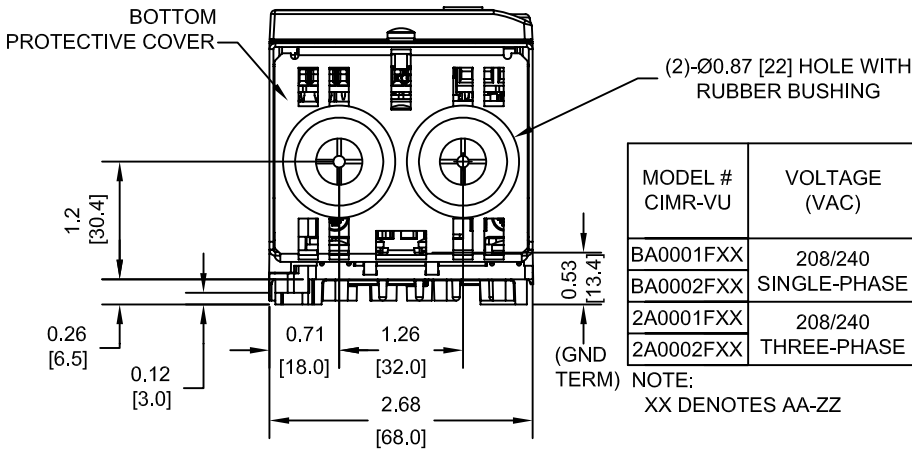
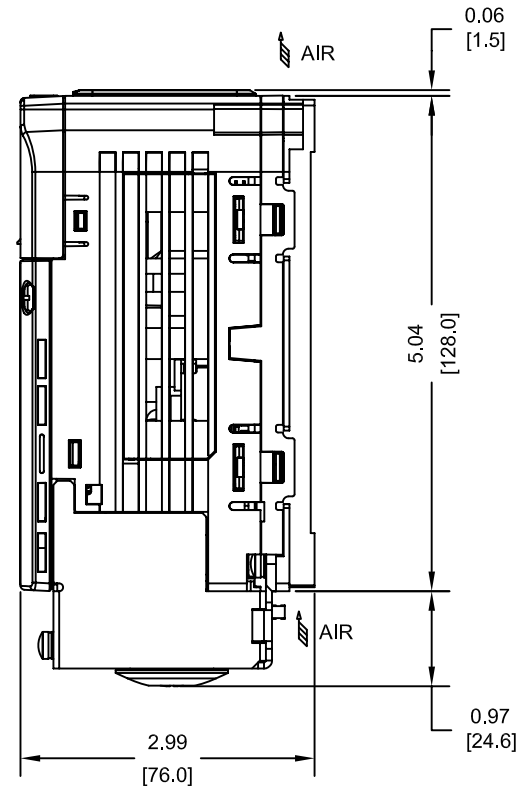
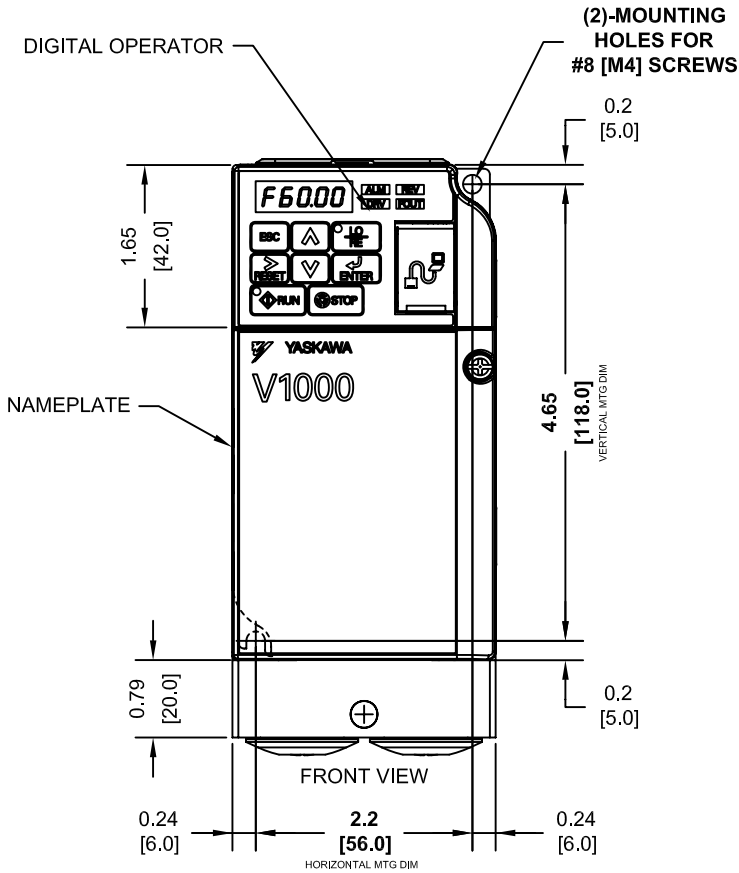
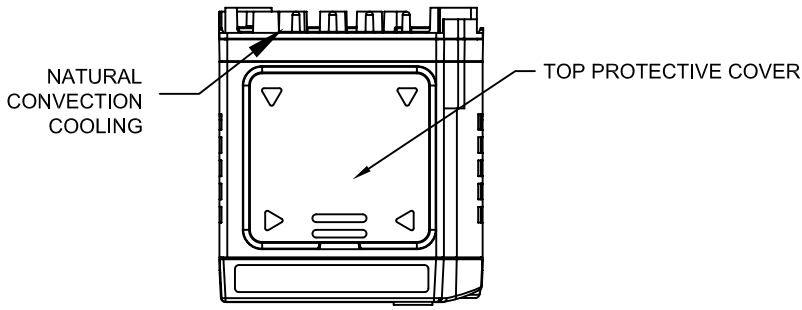


NOTE:
 PROTECTIVE COVERS ARE FACTORY INSTALLED TO THE TOP AND BOTTOM OF THE DRIVE TO MEET IP20 & NEMA TYPE 1 REQUIREMENTS, RESULTING IN AN AMBIENT TEMPERATURE RATING OF 104F(40C). REMOVE THESE COVERS WHEN OPERATING THE DRIVE WITHIN A PANEL TO OBTAIN THE MAXIMUM SURROUNDING AIR TEMPERATURE RATING OF 122F(50C). REMOVING THESE COVERS RESULTS IN AN ENCLOSURE RATING OF IP00.



MODEL # CIMR-VU	VOLTAGE (VAC)	OUTPUT CURRENT (A)		WEIGHT LBS (Kg)	HEAT LOSS (W)					
		ND	HD		ND (Fc=2kHz)			HD (Fc=8kHz)		
					INT	EXT	TOT	INT	EXT	TOT
BA0001FXX	208/240	1.2	0.8	1.8 (0.8)	8.5	5.0	13.5	7.4	4.3	11.7
BA0002FXX	SINGLE-PHASE	1.9	1.6	1.8 (0.8)	9.7	7.6	17.3	8.9	7.9	16.8
2A0001FXX	208/240	1.2	0.8	1.8 (0.8)	8.0	5.0	13.0	7.3	4.3	11.6
2A0002FXX	THREE-PHASE	1.9	1.6	1.8 (0.8)	9.5	7.6	17.1	8.8	7.9	16.7

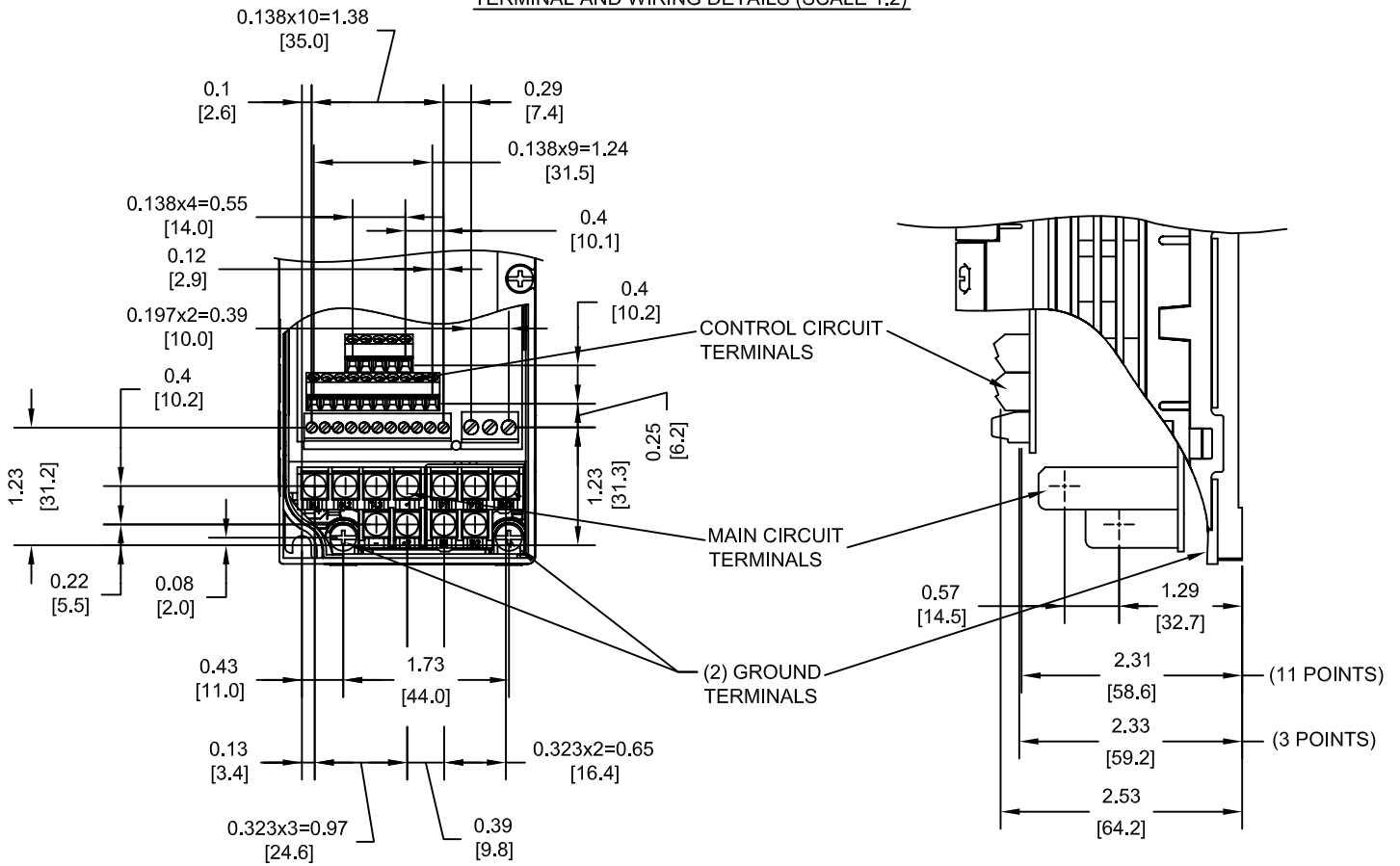
NOTE:
 XX DENOTES AA-ZZ

INT=INTERNAL COMPONENTS
 EXT=EXTERNAL HEATSINK
 TOT=TOTAL

FOR ADDITIONAL DETAILS AND SPECIFICATIONS, CONSULT MANUAL

TOLERANCES / REFERENCES:		<p>YASKAWA The Drive for Quality™</p> <p>THIS DOCUMENT AND INFORMATION CONTAINED IN IT ARE CONFIDENTIAL, AND CANNOT BE COPIED OR DISCLOSED IN WHOLE OR IN PART WITHOUT THE EXPRESS WRITTEN CONSENT OF YASKAWA ELECTRIC AMERICA INC.</p>	DRAWN: J. MATTAS CHECKED: M. RUCINSKI TECH: J. CAIRO APPROVED: T. SASADA ORIGINAL DESIGN: -	DATE 8-9-07 DATE 5-7-08 DATE 2-11-08 DATE 5-27-08 DATE -	TITLE: V1000 DIMENSION DRAWING FRAME SIZE 1 NEMA TYPE 1 ENCLOSURE BA0001F TO 0002F, 2A0001F TO 0002F
UNITS: IN[mm]	SCALE: 1:2		SIZE A REVISION R00 PAGE 1 of 3	DRAWING #: DD.V1K.FR1.N1	

TERMINAL AND WIRING DETAILS (SCALE 1:2)




**TERMINAL AND WIRE SPECIFICATIONS FOR
MAIN CIRCUIT AND GROUND**

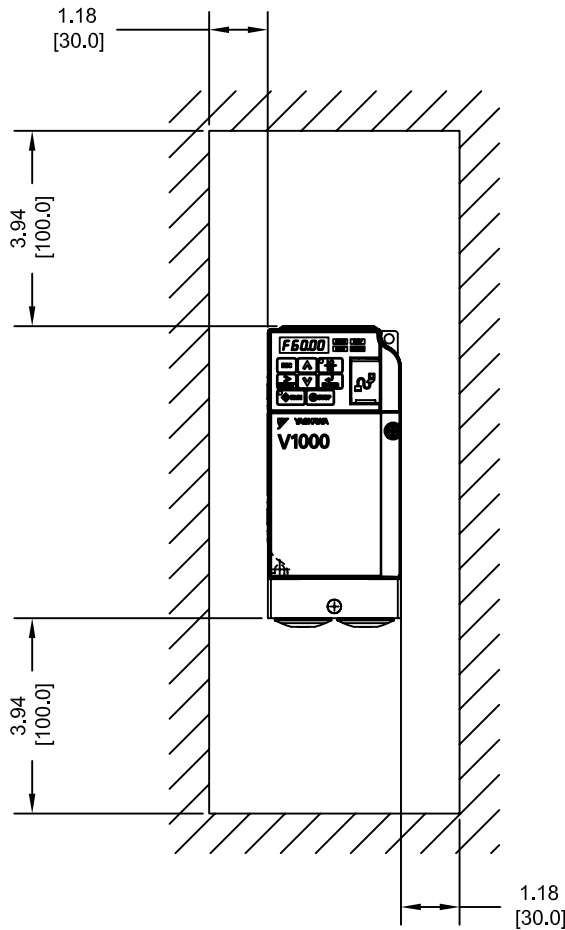
MODEL #	TERMINAL SCREW	CLAMPING TORQUE lb.in.(N.m.)	WIRE RANGE AWG(mm ²)
BA0001F	M3.5	7.1 TO 8.9 (0.8 TO 1.0)	22-14 (0.33-2.0)
BA0002F	M3.5	7.1 TO 8.9 (0.8 TO 1.0)	22-14 (0.33-2.0)
2A0001F	M3.5	7.1 TO 8.9 (0.8 TO 1.0)	22-14 (0.33-2.0)
2A0002F	M3.5	7.1 TO 8.9 (0.8 TO 1.0)	22-14 (0.33-2.0)

NOTE: RATINGS APPLY TO BOTH FACTORY AND FIELD WIRING
REFER TO APPLICABLE CODES FOR PROPER WIRE TYPE AND SIZE

FOR ADDITIONAL DETAILS AND SPECIFICATIONS, CONSULT MANUAL

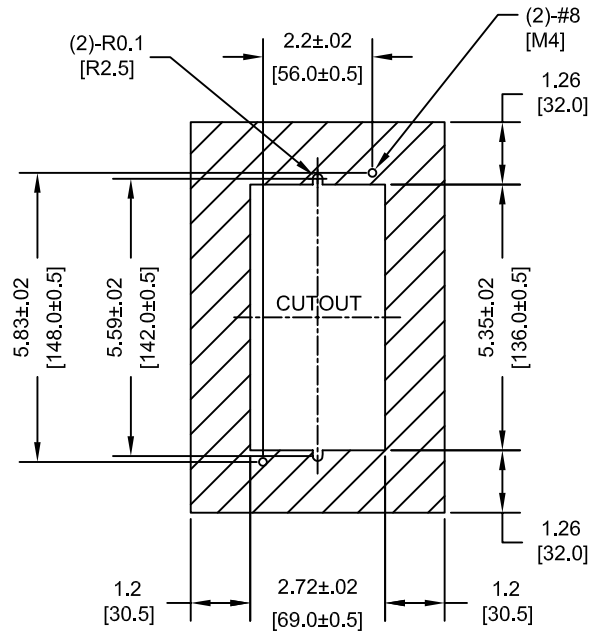
TOLERANCES / REFERENCES:	 YASKAWA <i>The Drive for Quality™</i>	DRAWN:	J. MATTAS	DATE:	8-9-07	TITLE: V1000 DIMENSION DRAWING FRAME SIZE 1 NEMA TYPE 1 ENCLOSURE BA0001F TO 0002F, 2A0001F TO 0002F			
		CHECKED:	M. RUCINSKI	DATE:	5-7-08				
UNITS: IN[mm]	SCALE: BY VIEW	<i>THIS DOCUMENT AND INFORMATION CONTAINED IN IT ARE CONFIDENTIAL, AND CANNOT BE COPIED OR DISCLOSED IN WHOLE OR IN PART WITHOUT THE EXPRESS WRITTEN CONSENT OF YASKAWA ELECTRIC AMERICA INC.</i>		TECH:	J. CAIRO	DATE:	2-11-08		
		APPROVED:	T. SASADA	DATE:	5-27-08	SIZE:	A	REVISION:	R00
		ORIGINAL DESIGN:	-	DATE:	-	DRAWING #:	DD.V1K.FR1.N1		

MINIMUM INSTALLATION CLEARANCES (SCALE 1:4)



NOTE:
FOR SIDE-BY-SIDE MOUNTING
CONSULT MANUAL

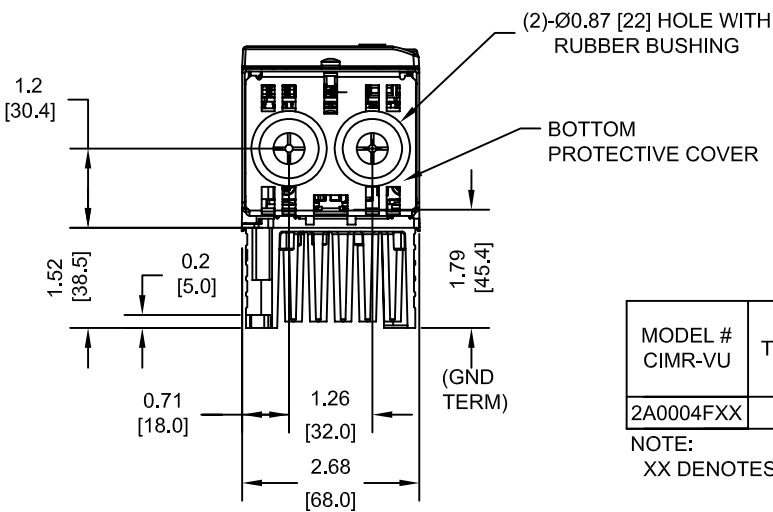
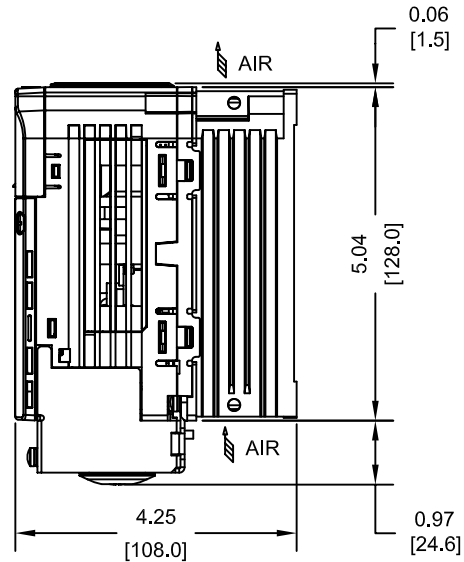
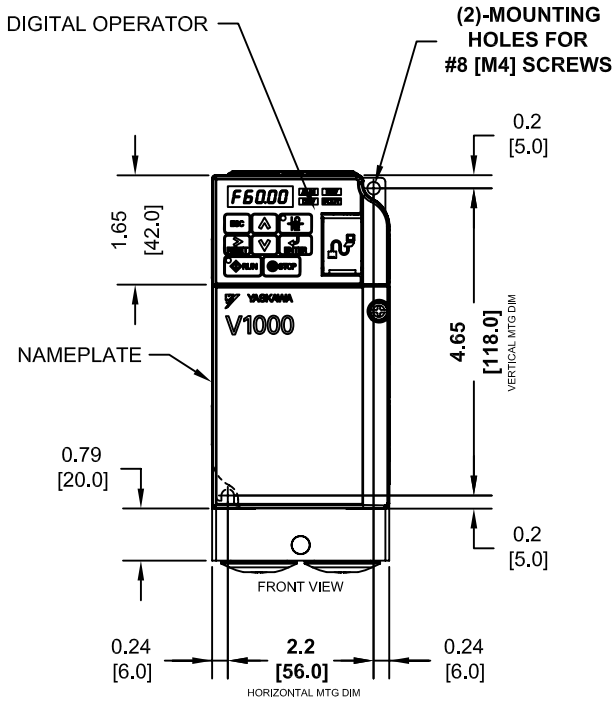
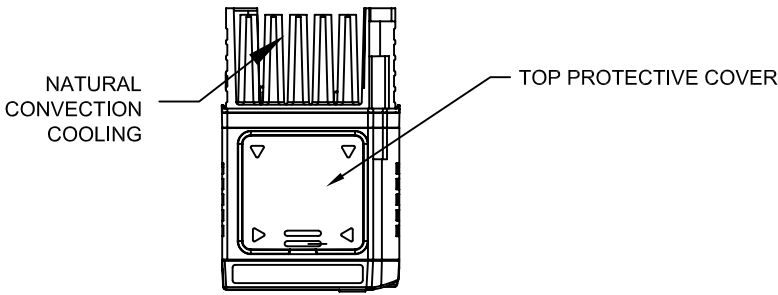
PANEL CUTOUT FOR EXTERNAL HEATSINK
MOUNTING CONFIGURATION (SCALE 1:4)



NOTES:
1. EXTERNAL HEATSINK
CONFIGURATION REQUIRES
MOUNTING KIT
2. EXPOSED HEATSINK
RECOMMENDED CLEARANCE
D=1.18" MINUS PANEL THICKNESS

TOLERANCES / REFERENCES:		<p>YASKAWA The Drive for Quality™</p>	DRAWN: J. MATTAS	DATE 8-9-07	TITLE: V1000 DIMENSION DRAWING
<p>THIS DOCUMENT AND INFORMATION CONTAINED IN IT ARE CONFIDENTIAL, AND CANNOT BE COPIED OR DISCLOSED IN WHOLE OR IN PART WITHOUT THE EXPRESS WRITTEN CONSENT OF YASKAWA ELECTRIC AMERICA INC.</p>			CHECKED: M. RUCINSKI	DATE 5-7-08	FRAME SIZE 1 NEMA TYPE 1 ENCLOSURE BA0001F TO 0002F, 2A0001F TO 0002F
UNITS: IN[mm]	SCALE: BY VIEW		TECH: J. CAIRO	DATE 2-11-08	SIZE A
			APPROVED: T. SASADA	DATE 5-27-08	REVISION R00
			ORIGINAL DESIGN: -	DATE -	PAGE 3 of 3
					DRAWING #: DD.V1K.FR1.N1

NOTE:
 PROTECTIVE COVERS ARE FACTORY INSTALLED TO THE TOP AND BOTTOM OF THE DRIVE TO MEET IP20 & NEMA TYPE 1 REQUIREMENTS, RESULTING IN AN AMBIENT TEMPERATURE RATING OF 104F(40C). REMOVE THESE COVERS WHEN OPERATING THE DRIVE WITHIN A PANEL TO OBTAIN THE MAXIMUM SURROUNDING AIR TEMPERATURE RATING OF 122F(50C). REMOVING THESE COVERS RESULTS IN AN ENCLOSURE RATING OF IP00.



MODEL # CIMR-VU	VOLTAGE THREE PHASE (VAC)	OUTPUT CURRENT (A)		WEIGHT LBS (Kg)	HEAT LOSS (W)					
		ND	HD		ND (Fc=2kHz)			HD (Fc=8kHz)		
					INT	EXT	TOT	INT	EXT	TOT
2A0004FXX	208/240	3.5	3.0	2.4 (1.1)	13.6	15.8	29.4	11.5	16.2	27.7

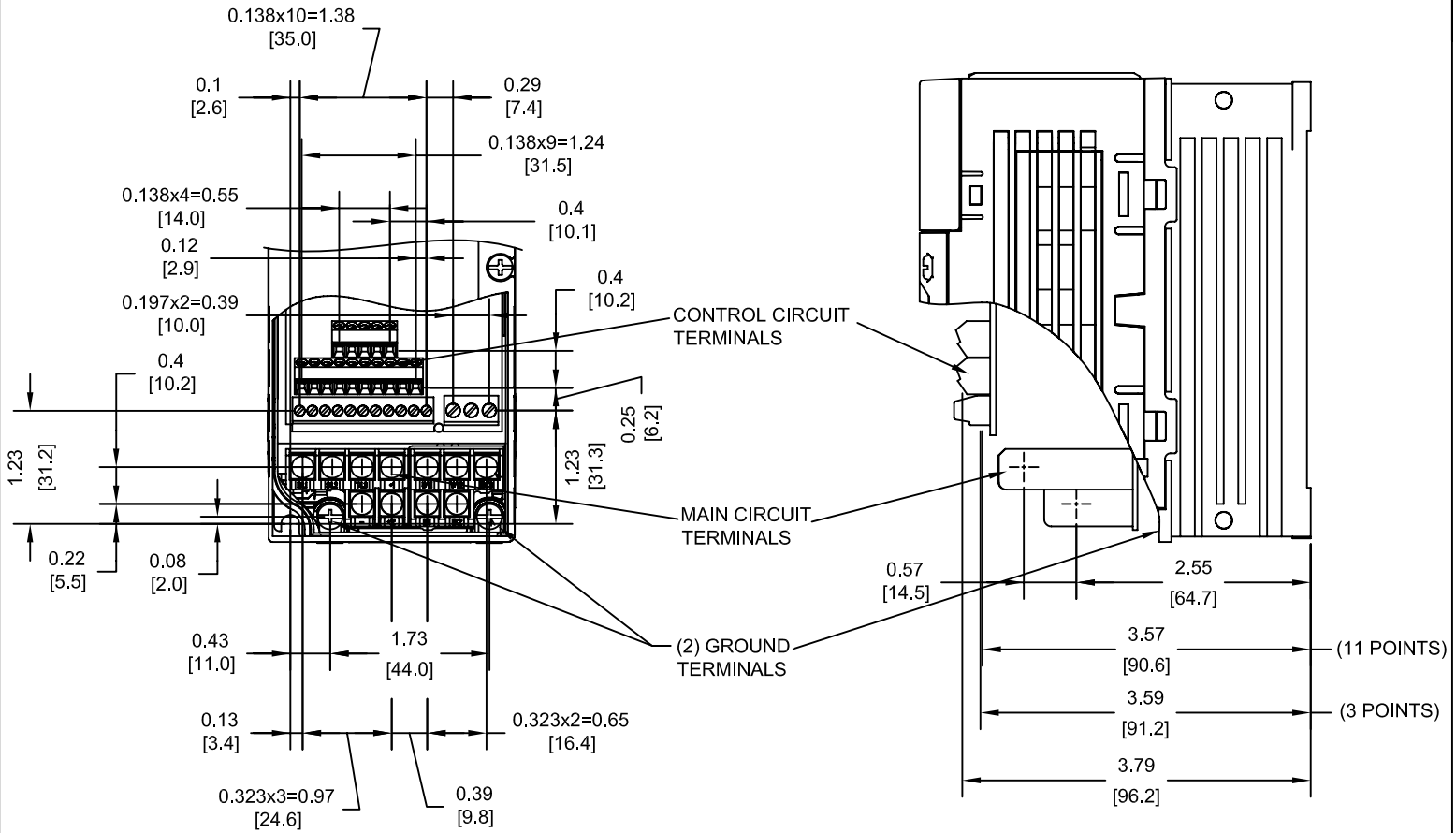
NOTE:
 XX DENOTES AA-ZZ

INT=INTERNAL COMPONENTS
 EXT=EXTERNAL HEATSINK
 TOT=TOTAL

FOR ADDITIONAL DETAILS AND SPECIFICATIONS, CONSULT MANUAL

TOLERANCES / REFERENCES:		<p>YASKAWA The Drive for Quality™</p>	DRAWN: J. MATTAS DATE: 12-5-07	TITLE: V1000 DIMENSION DRAWING FRAME SIZE 2 NEMA TYPE 1 ENCLOSURE 2A0004F
UNITS: IN[mm]			CHECKED: M. RUCINSKI DATE: 5-7-08	DATE: 2-11-08
SCALE: 1:3		THIS DOCUMENT AND INFORMATION CONTAINED IN IT ARE CONFIDENTIAL, AND CANNOT BE COPIED OR DISCLOSED IN WHOLE OR IN PART WITHOUT THE EXPRESS WRITTEN CONSENT OF YASKAWA ELECTRIC AMERICA INC.	TECH: J. CAIRO DATE: 5-27-08	REVISION R00
		ORIGINAL DESIGN: -	DATE: -	PAGE 1 of 3
		DRAWING #: DD.V1K.FR2.N1		

TERMINAL AND WIRING DETAILS (SCALE 1:2)



TERMINAL AND WIRE SPECIFICATIONS FOR
MAIN CIRCUIT AND GROUND

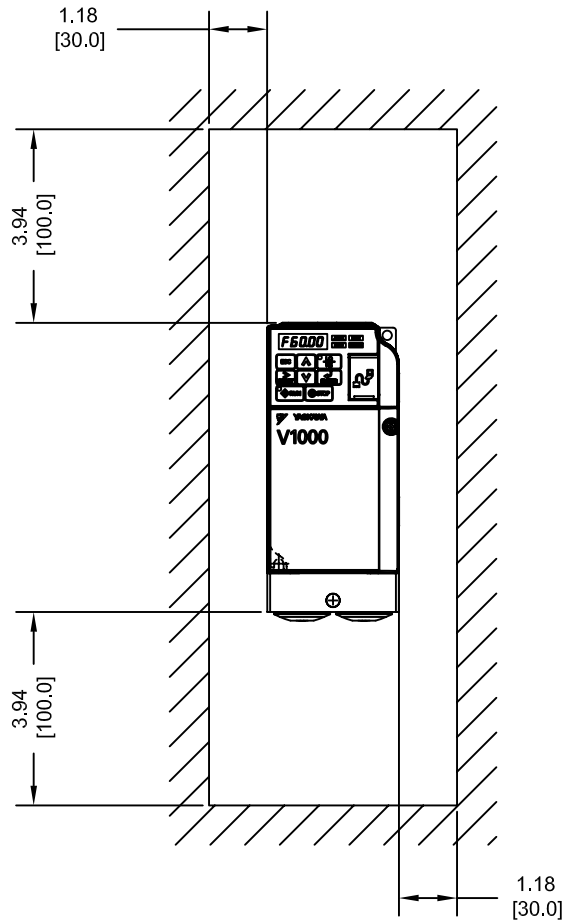
MODEL #	TERMINAL SCREW	CLAMPING TORQUE lb.in.(N.m.)	WIRE RANGE AWG(mm ²)
2A0004F	M3.5	7.1 TO 8.9 (0.8 TO 1.0)	22-14 (0.33-2.0)

NOTE: RATINGS APPLY TO BOTH FACTORY AND FIELD WIRING
REFER TO APPLICABLE CODES FOR PROPER WIRE TYPE AND SIZE

FOR ADDITIONAL DETAILS AND SPECIFICATIONS, CONSULT MANUAL

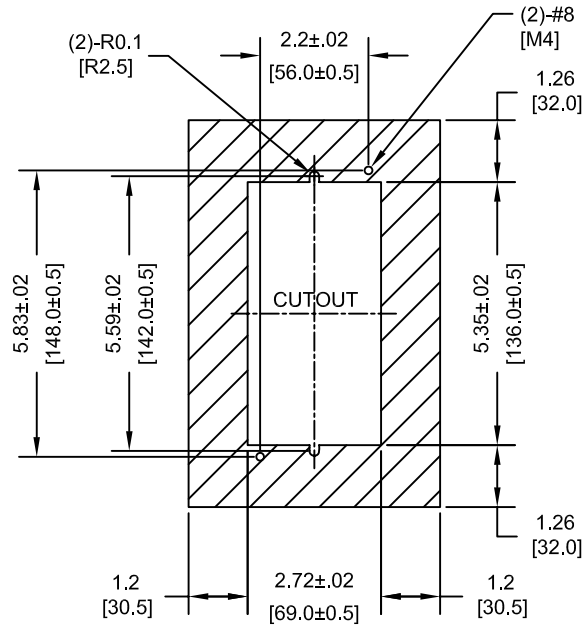
TOLERANCES / REFERENCES:		<p>THIS DOCUMENT AND INFORMATION CONTAINED IN IT ARE CONFIDENTIAL, AND CANNOT BE COPIED OR DISCLOSED IN WHOLE OR IN PART WITHOUT THE EXPRESS WRITTEN CONSENT OF YASKAWA ELECTRIC AMERICA INC.</p>	DRAWN: J. MATTAS CHECKED: M. RUCINSKI TECH: J. CAIRO APPROVED: T. SASADA ORIGINAL DESIGN: -	DATE 12-5-07 DATE 5-7-08 DATE 2-11-08 DATE 5-27-08 DATE -	TITLE: V1000 DIMENSION DRAWING FRAME SIZE 2 NEMA TYPE 1 ENCLOSURE 2A0004F
UNITS: IN[mm]	SCALE: BY VIEW		SIZE A	REVISION R00	PAGE 2 of 3
			DRAWING #: DD.V1K.FR2.N1		

MINIMUM INSTALLATION CLEARANCES (SCALE 1:4)



NOTE:
FOR SIDE-BY-SIDE MOUNTING
CONSULT MANUAL

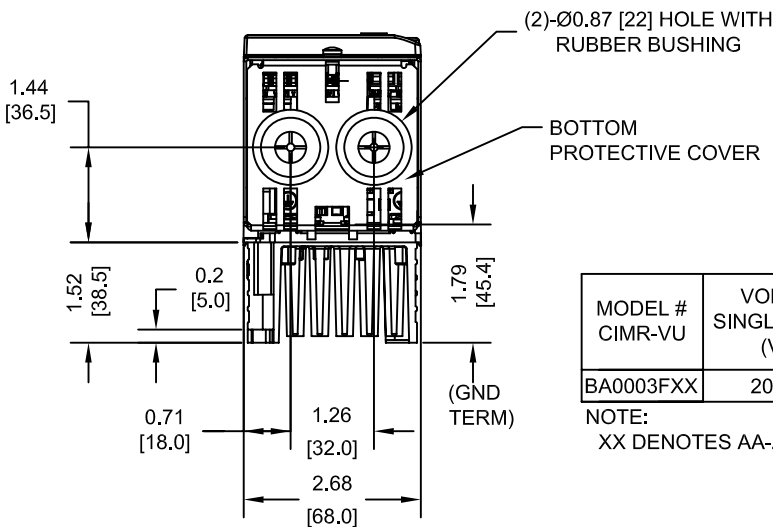
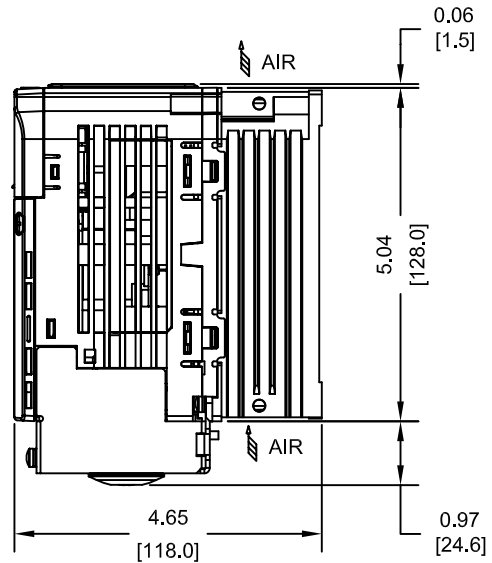
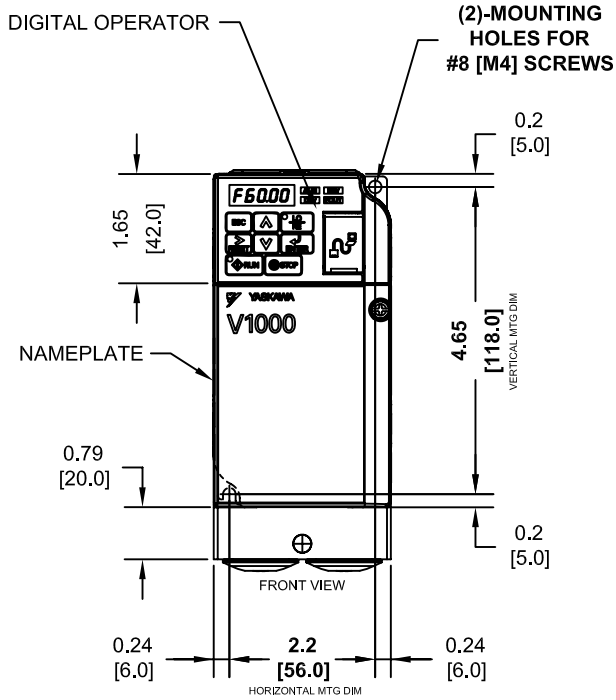
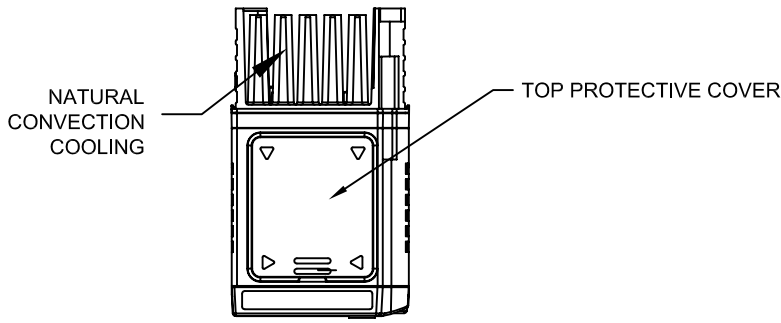
PANEL CUTOUT FOR EXTERNAL HEATSINK
MOUNTING CONFIGURATION (SCALE 1:4)



NOTES:
1. EXTERNAL HEATSINK
CONFIGURATION REQUIRES
MOUNTING KIT
2. EXPOSED HEATSINK
RECOMMENDED CLEARANCE
D=1.97" MINUS PANEL THICKNESS

TOLERANCES / REFERENCES:			DATE	TITLE:	
			12-5-07	V1000 DIMENSION DRAWING	
		DRAWN:	DATE	FRAME SIZE 2	
		J. MATTAS	5-7-08	NEMA TYPE 1 ENCLOSURE	
		CHECKED:	DATE	2A0004F	
		M. RUCINSKI	2-11-08	SIZE	REVISION
		TECH:	DATE	A	R00
		J. CAIRO	5-27-08	PAGE	
		APPROVED:	DATE	3 of 3	
		T. SASADA	-	DRAWING #:	
UNITS:	SCALE:	ORIGINAL DESIGN:	DATE	DD.V1K.FR2.N1	
IN[mm]	BY VIEW	-	-		

NOTE:
 PROTECTIVE COVERS ARE FACTORY INSTALLED TO THE TOP AND BOTTOM OF THE DRIVE TO MEET IP20 & NEMA TYPE 1 REQUIREMENTS, RESULTING IN AN AMBIENT TEMPERATURE RATING OF 104F(40C). REMOVE THESE COVERS WHEN OPERATING THE DRIVE WITHIN A PANEL TO OBTAIN THE MAXIMUM SURROUNDING AIR TEMPERATURE RATING OF 122F(50C). REMOVING THESE COVERS RESULTS IN AN ENCLOSURE RATING OF IP00.



MODEL # CIMR-VU	VOLTAGE SINGLE PHASE (VAC)	OUTPUT CURRENT (A)		WEIGHT LBS (Kg)	HEAT LOSS (W)					
					ND (Fc=2kHz)			HD (Fc=8kHz)		
		ND	HD		INT	EXT	TOT	INT	EXT	TOT
BA0003FXX	208/240	3.2	3.0	2.6 (1.2)	14.4	14.6	29.0	11.5	16.1	27.6

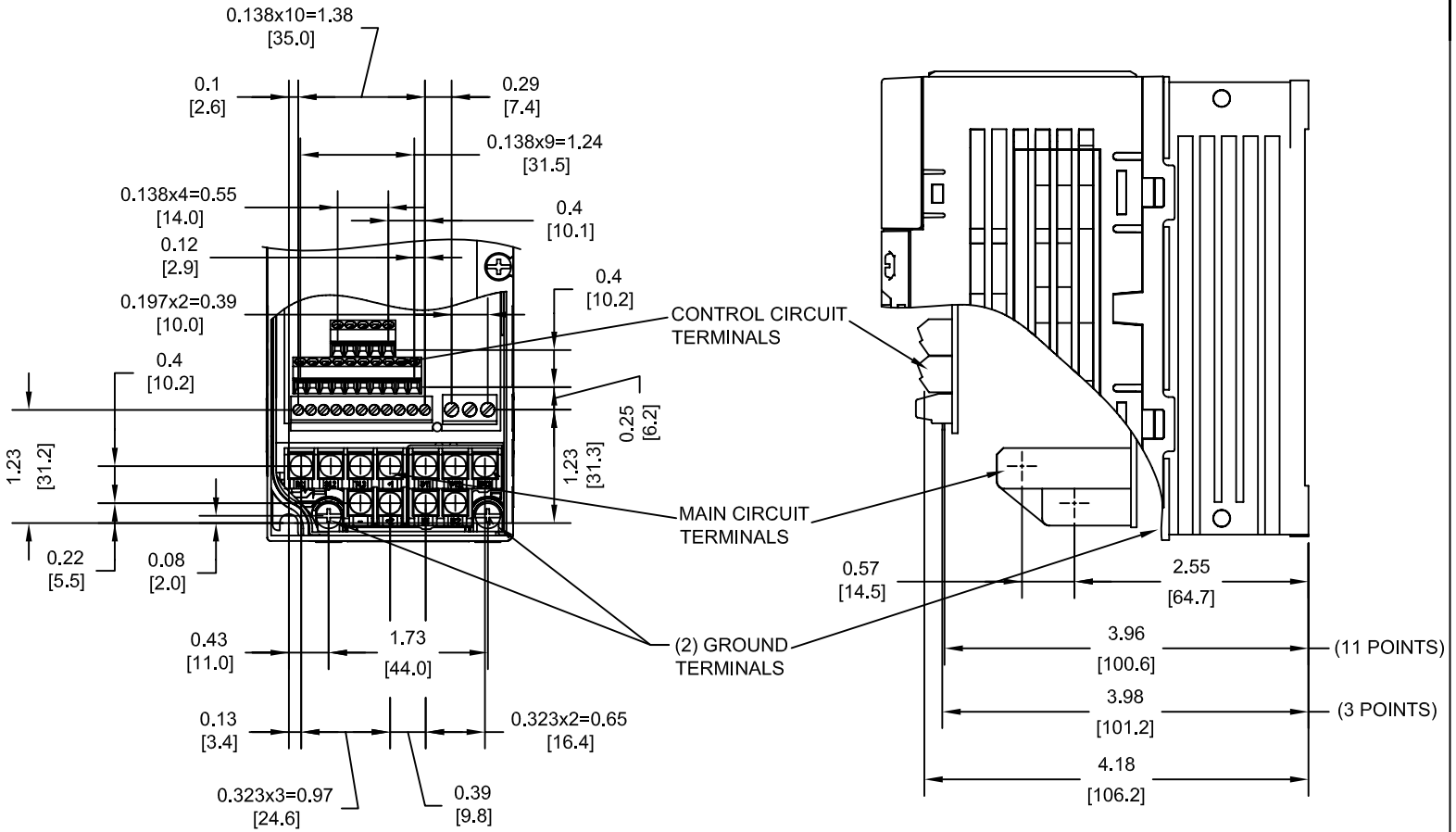
NOTE:
 XX DENOTES AA-ZZ

INT=INTERNAL COMPONENTS
 EXT=EXTERNAL HEATSINK
 TOT=TOTAL

FOR ADDITIONAL DETAILS AND SPECIFICATIONS, CONSULT MANUAL

TOLERANCES / REFERENCES:	<p>YASKAWA The Drive for Quality™</p> <p>THIS DOCUMENT AND INFORMATION CONTAINED IN IT ARE CONFIDENTIAL, AND CANNOT BE COPIED OR DISCLOSED IN WHOLE OR IN PART WITHOUT THE EXPRESS WRITTEN CONSENT OF YASKAWA ELECTRIC AMERICA INC.</p>	DRAWN: J. MATTAS	DATE: 12-6-07	TITLE: V1000 DIMENSION DRAWING		
		CHECKED: M. RUCINSKI	DATE: 5-7-08	FRAME SIZE 3		
		TECH: J. CAIRO	DATE: 2-12-08	NEMA TYPE 1 ENCLOSURE		
		APPROVED: T. SASADA	DATE: 5-27-08	BA0003F		
UNITS: IN[mm]	SCALE: 1:3	ORIGINAL DESIGN: -	DATE: -	SIZE: A	REVISION: R00	PAGE: 1 of 3
				DRAWING #: DD.V1K.FR3.N1		

TERMINAL AND WIRING DETAILS (SCALE 1:2)



TERMINAL AND WIRE SPECIFICATIONS FOR
MAIN CIRCUIT AND GROUND

MODEL #	TERMINAL	CLAMPING TORQUE	WIRE RANGE
CIMR-VU	SCREW	lb.in.(N.m.)	AWG(mm ²)
BA0003F	M3.5	7.1 TO 8.9 (0.8 TO 1.0)	22-14 (0.33-2.0)

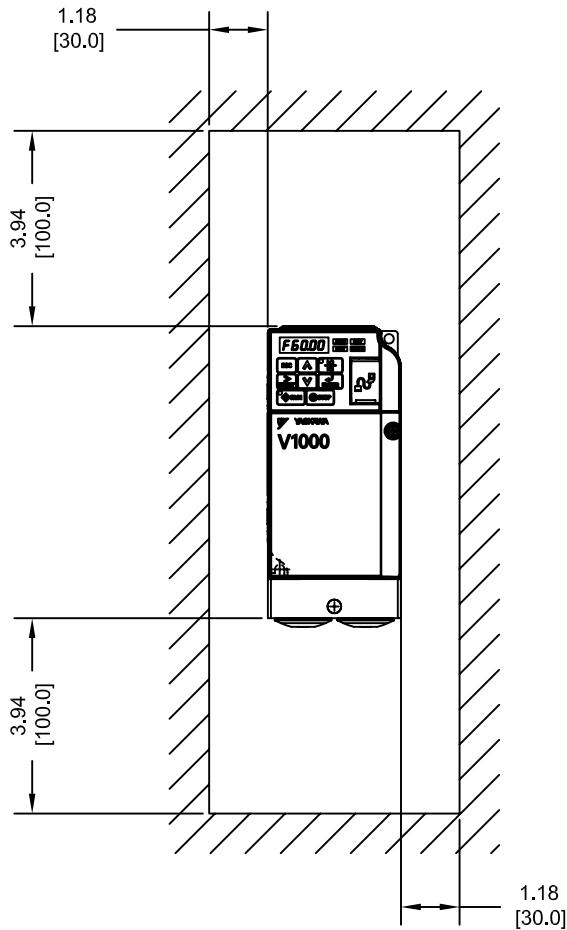
NOTE: RATINGS APPLY TO BOTH FACTORY AND FIELD WIRING
REFER TO APPLICABLE CODES FOR PROPER WIRE TYPE AND SIZE

FOR ADDITIONAL DETAILS AND SPECIFICATIONS, CONSULT MANUAL

TOLERANCES / REFERENCES:		DRAWN:	J. MATTAS	DATE:	12-6-07	TITLE: V1000 DIMENSION DRAWING FRAME SIZE 3 NEMA TYPE 1 ENCLOSURE BA0003F		
		CHECKED:	M. RUCINSKI	DATE:	5-7-08			
		TECH:	J. CAIRO	DATE:	2-12-08			
		APPROVED:	T. SASADA	DATE:	5-27-08			
UNITS:	IN[mm]	SCALE:	BY VIEW	ORIGINAL DESIGN:	-	DATE:	-	SIZE: A REVISION: R00 PAGE: 2 of 3
DRAWING #: DD.V1K.FR3.N1								

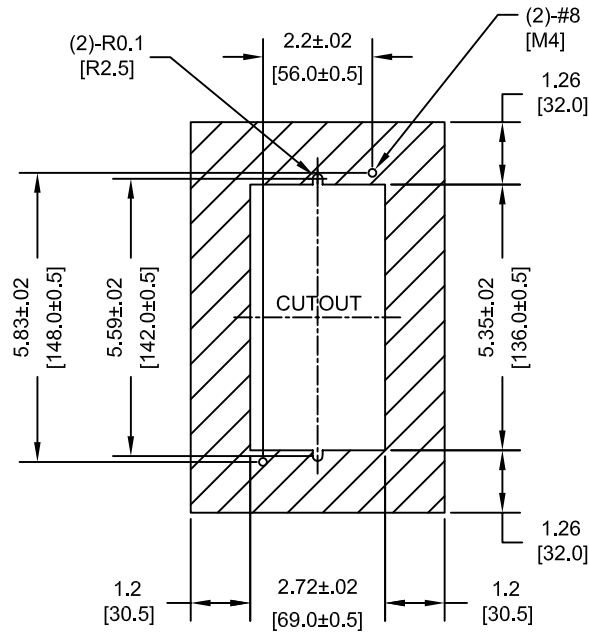
THIS DOCUMENT AND INFORMATION CONTAINED
IN IT ARE CONFIDENTIAL, AND CANNOT BE
COPIED OR DISCLOSED IN WHOLE OR IN PART
WITHOUT THE EXPRESS WRITTEN CONSENT
OF YASKAWA ELECTRIC AMERICA INC.

MINIMUM INSTALLATION CLEARANCES (SCALE 1:4)



NOTE:
FOR SIDE-BY-SIDE MOUNTING
CONSULT MANUAL

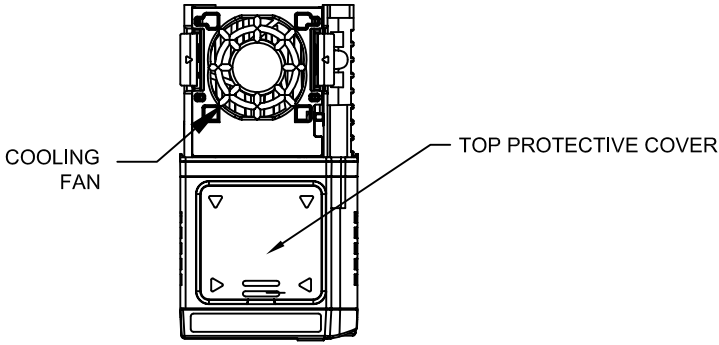
PANEL CUTOUT FOR EXTERNAL HEATSINK
MOUNTING CONFIGURATION (SCALE 1:4)



NOTES:
1. EXTERNAL HEATSINK
CONFIGURATION REQUIRES
MOUNTING KIT
2. EXPOSED HEATSINK
RECOMMENDED CLEARANCE
D=1.97" MINUS PANEL THICKNESS

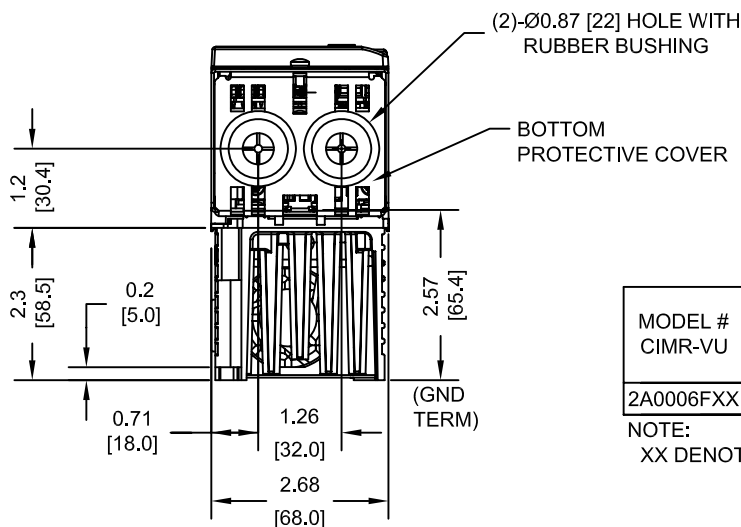
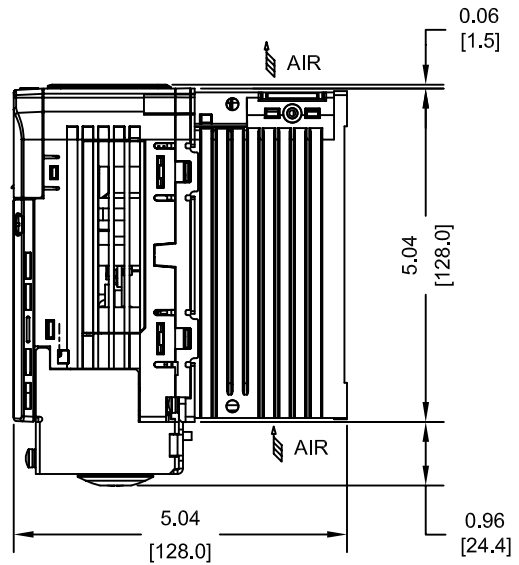
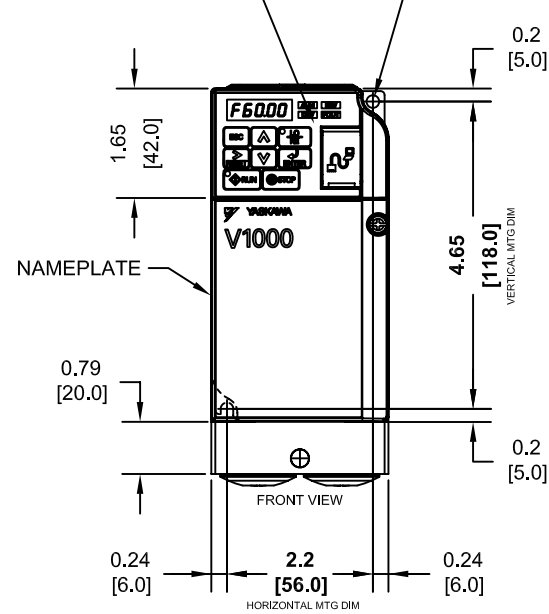
TOLERANCES / REFERENCES:			DRAWN:	J. MATTAS	DATE:	12-6-07	TITLE:		V1000 DIMENSION DRAWING					
			CHECKED:	M. RUCINSKI	DATE:	5-7-08	FRAME SIZE 3		NEMA TYPE 1 ENCLOSURE					
		THIS DOCUMENT AND INFORMATION CONTAINED IN IT ARE CONFIDENTIAL, AND CANNOT BE COPIED OR DISCLOSED IN WHOLE OR IN PART WITHOUT THE EXPRESS WRITTEN CONSENT OF YASKAWA ELECTRIC AMERICA INC.			TECH:	J. CAIRO	DATE:	2-12-08	BA0003F					
					APPROVED:	T. SASADA	DATE:	5-27-08	SIZE	A	REVISION	R00	PAGE	3 of 3
UNITS:	IN[mm]	SCALE:	BY VIEW	ORIGINAL DESIGN:	-	DATE:	-	DRAWING #:		DD.V1K.FR3.N1				

NOTE:
 PROTECTIVE COVERS ARE FACTORY INSTALLED TO THE TOP AND BOTTOM OF THE DRIVE TO MEET IP20 & NEMA TYPE 1 REQUIREMENTS, RESULTING IN AN AMBIENT TEMPERATURE RATING OF 104F(40C). REMOVE THESE COVERS WHEN OPERATING THE DRIVE WITHIN A PANEL TO OBTAIN THE MAXIMUM SURROUNDING AIR TEMPERATURE RATING OF 122F(50C). REMOVING THESE COVERS RESULTS IN AN ENCLOSURE RATING OF IP00.



DIGITAL OPERATOR

(2)-MOUNTING HOLES FOR #8 [M4] SCREWS



MODEL # CIMR-VU	VOLTAGE THREE PHASE (VAC)	OUTPUT CURRENT (A)		WEIGHT LBS (Kg)	HEAT LOSS (W)					
		ND	HD		ND (Fc=2kHz)			HD (Fc=8kHz)		
					INT	EXT	TOT	INT	EXT	TOT
2A0006FXX	208/240	6.0	5.0	2.9 (1.3)	17.2	27.5	44.7	15.9	27.4	43.3

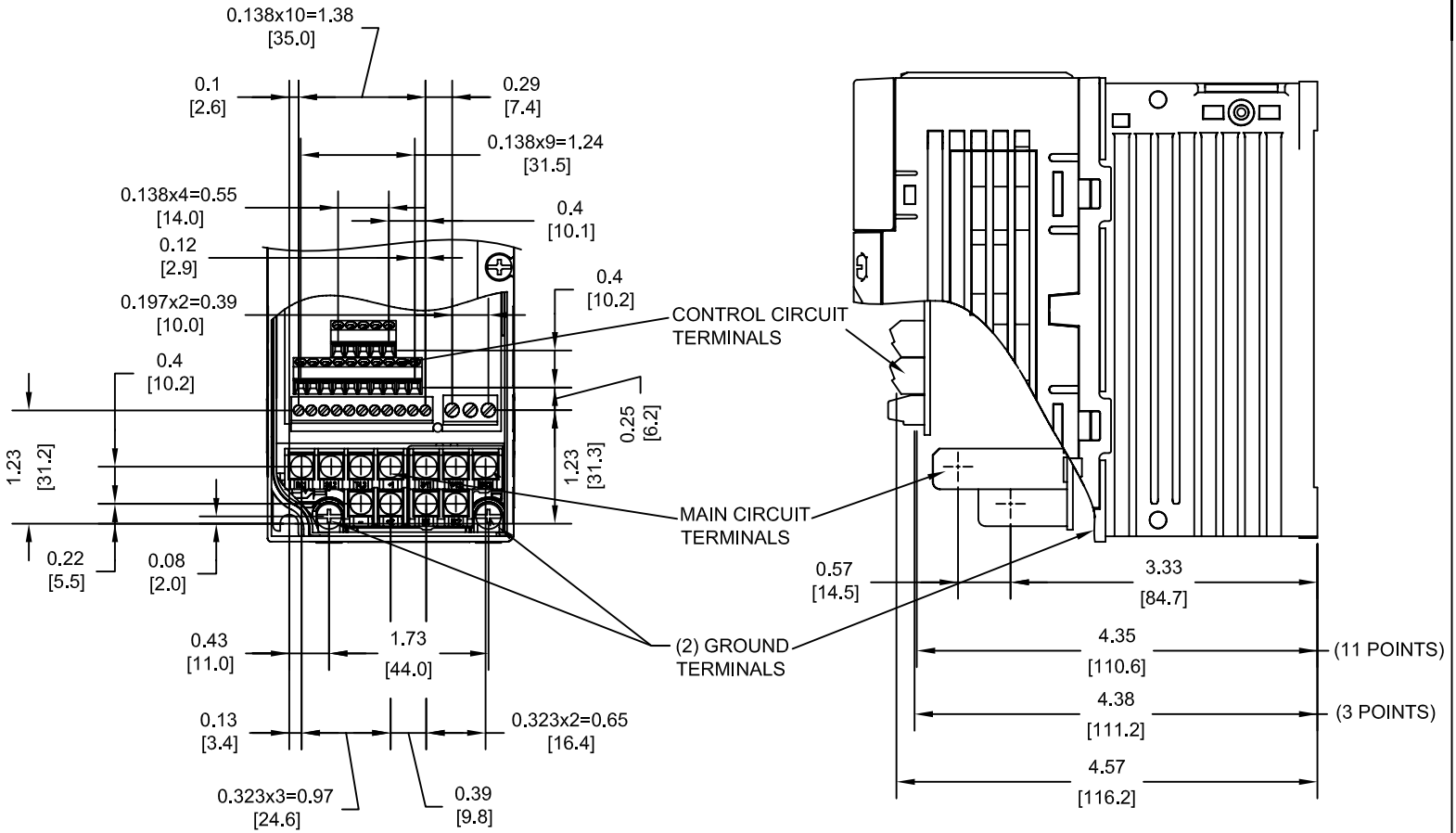
NOTE:
 XX DENOTES AA-ZZ

INT=INTERNAL COMPONENTS
 EXT=EXTERNAL HEATSINK
 TOT=TOTAL

FOR ADDITIONAL DETAILS AND SPECIFICATIONS, CONSULT MANUAL

TOLERANCES / REFERENCES:		<p>YASKAWA The Drive for Quality™</p>	DRAWN: J. MATTAS	DATE: 12-6-07	TITLE: V1000 DIMENSION DRAWING
<p>THIS DOCUMENT AND INFORMATION CONTAINED IN IT ARE CONFIDENTIAL, AND CANNOT BE COPIED OR DISCLOSED IN WHOLE OR IN PART WITHOUT THE EXPRESS WRITTEN CONSENT OF YASKAWA ELECTRIC AMERICA INC.</p>			CHECKED: M. RUCINSKI	DATE: 5-7-08	FRAME SIZE 4 NEMA TYPE 1 ENCLOSURE
UNITS: IN[mm]	SCALE: 1:3	TECH: J. CAIRO	DATE: 2-18-08	SIZE A	REVISION R00
		APPROVED: T. SASADA	DATE: 5-27-08	PAGE 1 of 3	DRAWING #: DD.V1K.FR4.N1
		ORIGINAL DESIGN: -	DATE: -		

TERMINAL AND WIRING DETAILS (SCALE 1:2)



TERMINAL AND WIRE SPECIFICATIONS FOR
MAIN CIRCUIT AND GROUND

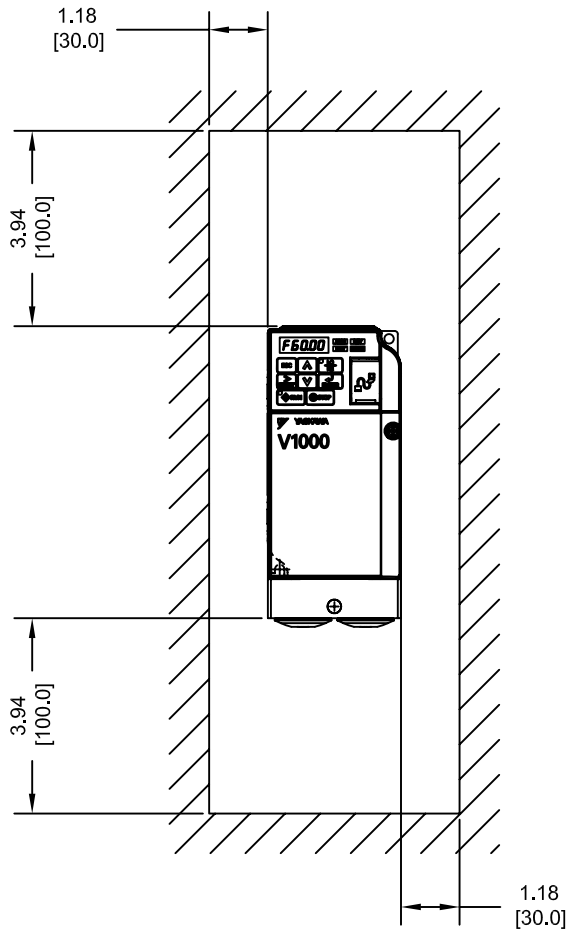
MODEL #	TERMINAL	CLAMPING TORQUE	WIRE RANGE
CIMR-VU	SCREW	lb.in.(N.m.)	AWG(mm ²)
2A0006F	M3.5	7.1 TO 8.9 (0.8 TO 1.0)	22-14 (0.33-2.0)

NOTE: RATINGS APPLY TO BOTH FACTORY AND FIELD WIRING
REFER TO APPLICABLE CODES FOR PROPER WIRE TYPE AND SIZE

FOR ADDITIONAL DETAILS AND SPECIFICATIONS, CONSULT MANUAL

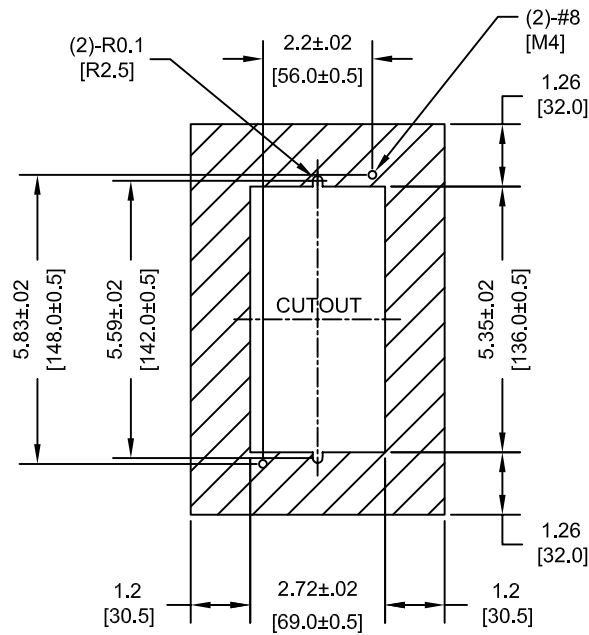
TOLERANCES / REFERENCES:	<p>YASKAWA The Drive for Quality™</p> <p><i>THIS DOCUMENT AND INFORMATION CONTAINED IN IT ARE CONFIDENTIAL, AND CANNOT BE COPIED OR DISCLOSED IN WHOLE OR IN PART WITHOUT THE EXPRESS WRITTEN CONSENT OF YASKAWA ELECTRIC AMERICA INC.</i></p>	DRAWN:	J. MATTAS	DATE:	12-6-07	TITLE: V1000 DIMENSION DRAWING FRAME SIZE 4 NEMA TYPE 1 ENCLOSURE 2A0006F		
		CHECKED:	M. RUCINSKI	DATE:	5-7-08			
		TECH:	J. CAIRO	DATE:	2-18-08			
		APPROVED:	T. SASADA	DATE:	5-27-08			
UNITS:	IN[mm]	SCALE:	BY VIEW	ORIGINAL DESIGN:	-	DATE:	-	SIZE: A REVISION: R00 PAGE: 2 of 3
DRAWING #: DD.V1K.FR4.N1								

MINIMUM INSTALLATION CLEARANCES (SCALE 1:4)



NOTE:
FOR SIDE-BY-SIDE MOUNTING
CONSULT MANUAL

PANEL CUTOUT FOR EXTERNAL HEATSINK
MOUNTING CONFIGURATION (SCALE 1:4)

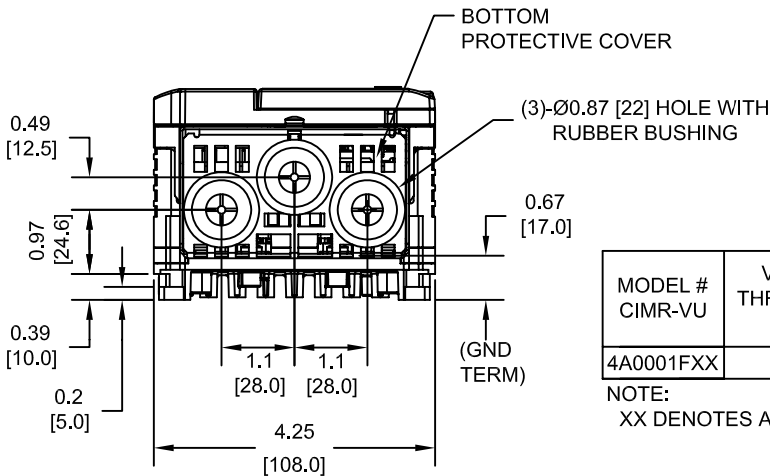
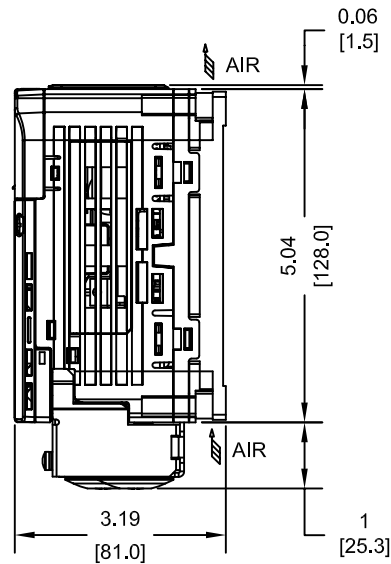
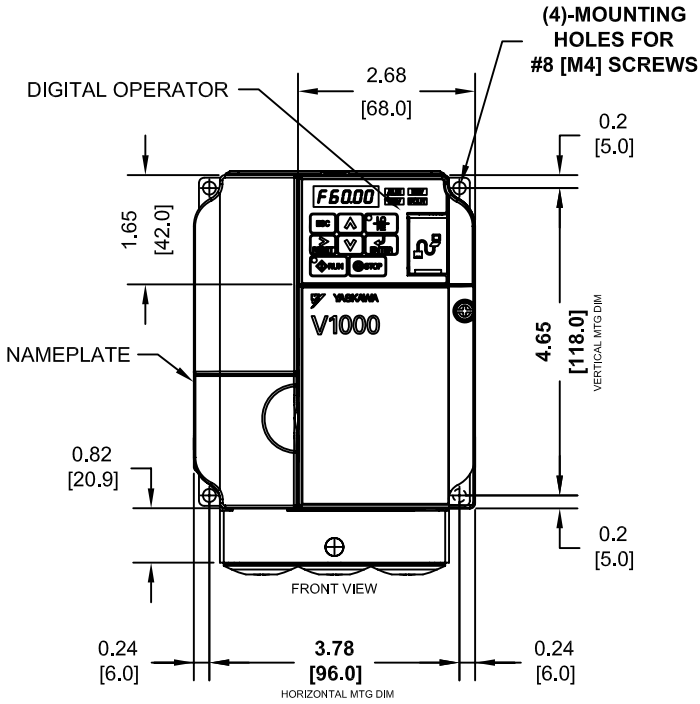
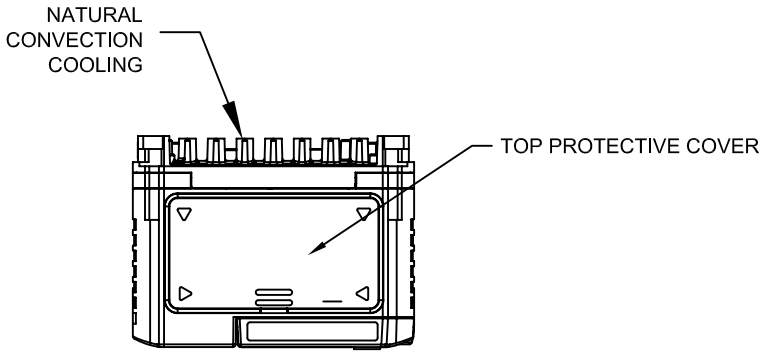


NOTES:
1. EXTERNAL HEATSINK
CONFIGURATION REQUIRES
MOUNTING KIT
2. EXPOSED HEATSINK
RECOMMENDED CLEARANCE
D=2.76" MINUS PANEL THICKNESS

TOLERANCES / REFERENCES:			DRAWN:	J. MATTAS	DATE:	12-6-07	TITLE:	V1000 DIMENSION DRAWING						
			CHECKED:	M. RUCINSKI	DATE:	5-7-08	FRAME SIZE 4 NEMA TYPE 1 ENCLOSURE 2A0006F							
		THIS DOCUMENT AND INFORMATION CONTAINED IN IT ARE CONFIDENTIAL, AND CANNOT BE COPIED OR DISCLOSED IN WHOLE OR IN PART WITHOUT THE EXPRESS WRITTEN CONSENT OF YASKAWA ELECTRIC AMERICA INC.			TECH:	J. CAIRO	DATE:	2-18-08	SIZE:	A	REVISION:	R00	PAGE:	3 of 3
UNITS:	IN[mm]	SCALE:	BY VIEW	APPROVED:	T. SASADA	DATE:	5-27-08	DRAWING #:	DD.V1K.FR4.N1					
					ORIGINAL DESIGN:	-	DATE:	-						

NOTE:

PROTECTIVE COVERS ARE FACTORY INSTALLED TO THE TOP AND BOTTOM OF THE DRIVE TO MEET IP20 & NEMA TYPE 1 REQUIREMENTS, RESULTING IN AN AMBIENT TEMPERATURE RATING OF 104F(40C). REMOVE THESE COVERS WHEN OPERATING THE DRIVE WITHIN A PANEL TO OBTAIN THE MAXIMUM SURROUNDING AIR TEMPERATURE RATING OF 122F(50C). REMOVING THESE COVERS RESULTS IN AN ENCLOSURE RATING OF IP00.



MODEL # CIMR-VU	VOLTAGE THREE PHASE (VAC)	OUTPUT CURRENT (A)		WEIGHT LBS (Kg)	HEAT LOSS (W)					
		ND	HD		ND (Fc=2kHz)			HD (Fc=8kHz)		
					INT	EXT	TOT	INT	EXT	TOT
4A0001FXX	380/480	1.2	1.2	2.6 (1.2)	9.6	10.0	19.6	11.5	19.2	30.7

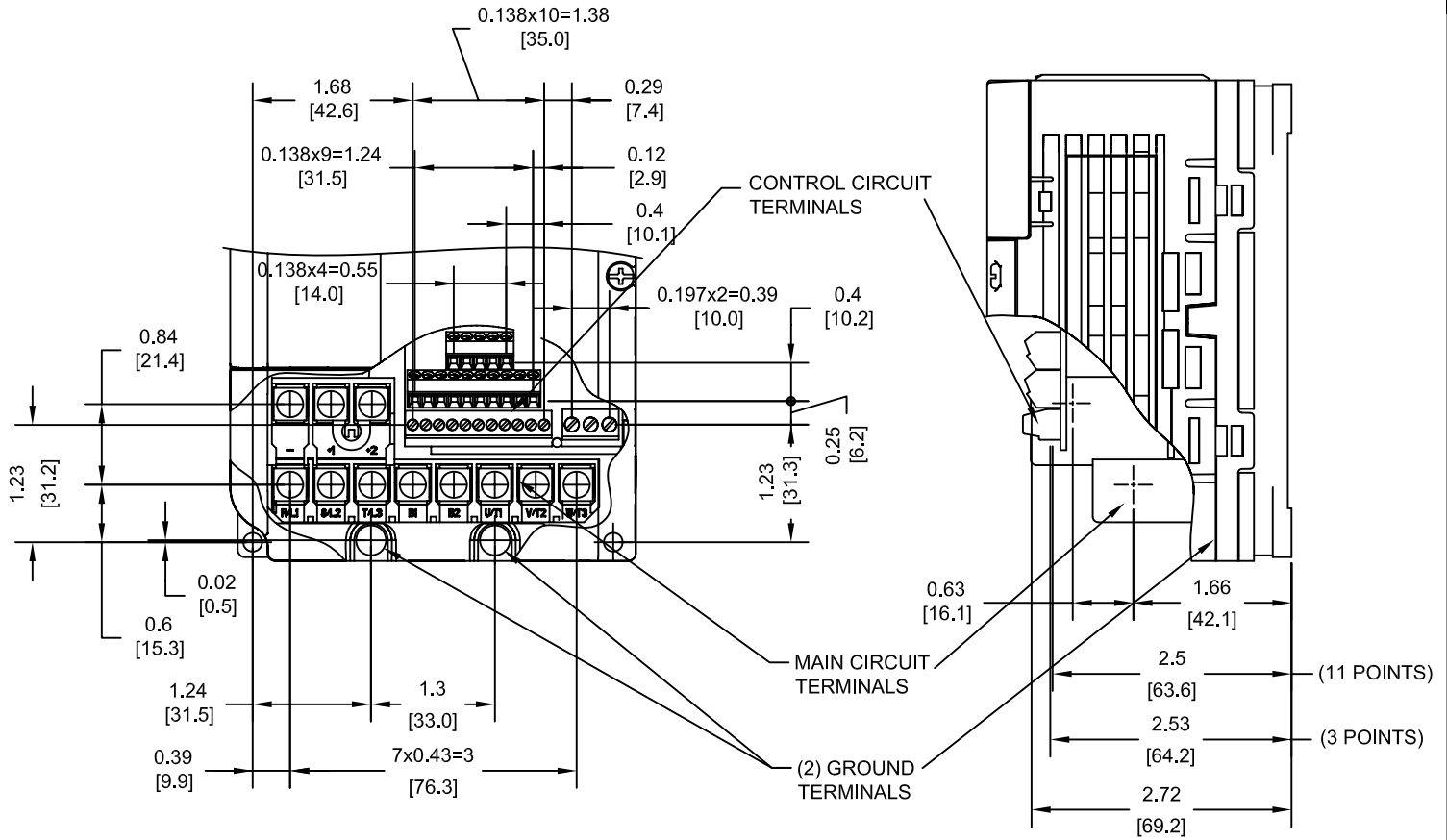
NOTE:
XX DENOTES AA-ZZ

INT=INTERNAL COMPONENTS
EXT=EXTERNAL HEATSINK
TOT=TOTAL

FOR ADDITIONAL DETAILS AND SPECIFICATIONS, CONSULT MANUAL

TOLERANCES / REFERENCES:		<p>YASKAWA The Drive for Quality™</p>	DRAWN: J. MATTAS CHECKED: M. RUCINSKI TECH: J. CAIRO APPROVED: T. SASADA ORIGINAL DESIGN: -	DATE: 12-7-07 DATE: 5-7-08 DATE: 2-18-08 DATE: 5-27-08 DATE: -	TITLE: V1000 DIMENSION DRAWING FRAME SIZE 5 NEMA TYPE 1 ENCLOSURE 4A0001F
UNITS: IN[mm]	SCALE: 1:3		THIS DOCUMENT AND INFORMATION CONTAINED IN IT ARE CONFIDENTIAL, AND CANNOT BE COPIED OR DISCLOSED IN WHOLE OR IN PART WITHOUT THE EXPRESS WRITTEN CONSENT OF YASKAWA ELECTRIC AMERICA INC.	SIZE A REVISION R00 DRAWING #: DD.V1K.FR5.N1	PAGE 1 of 3

TERMINAL AND WIRING DETAILS (SCALE 1:2)



TERMINAL AND WIRE SPECIFICATIONS FOR
MAIN CIRCUIT AND GROUND

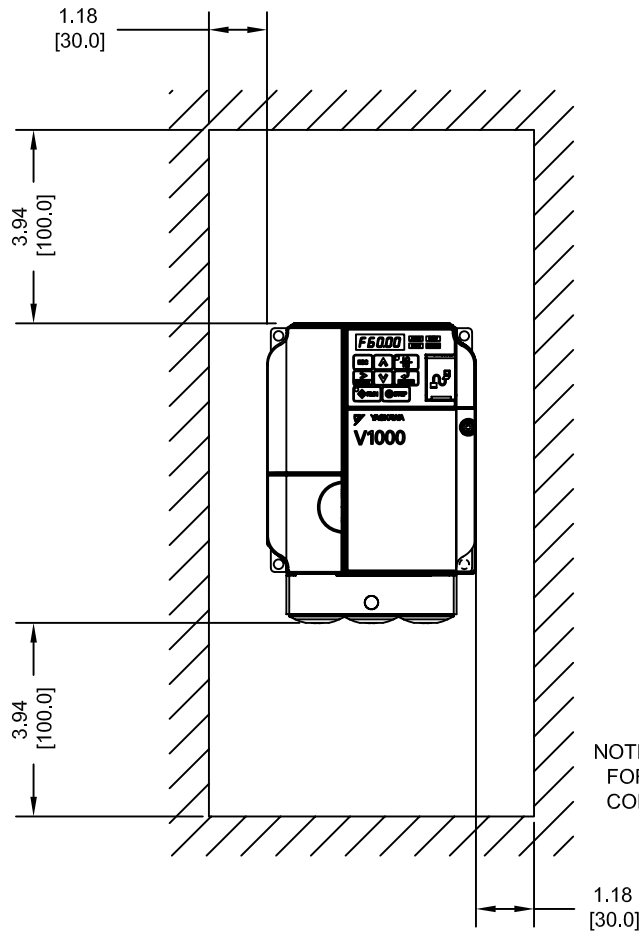
MODEL #	TERMINAL SCREW	CLAMPING TORQUE lb.in.(N.m.)	WIRE RANGE AWG(mm ²)
4A0001F	M4	10.6 TO 13.3 (1.2 TO 1.5)	22-10 (0.33-5.5)

NOTE: RATINGS APPLY TO BOTH FACTORY AND FIELD WIRING
REFER TO APPLICABLE CODES FOR PROPER WIRE TYPE AND SIZE

FOR ADDITIONAL DETAILS AND SPECIFICATIONS, CONSULT MANUAL

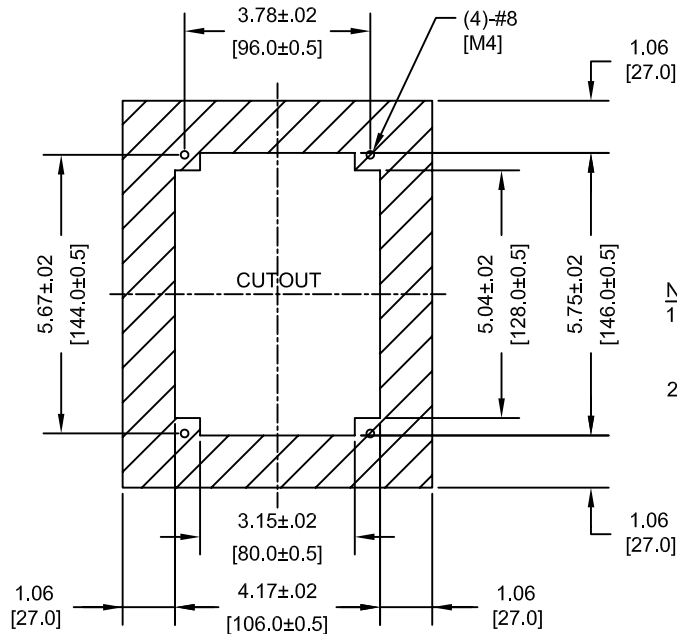
TOLERANCES / REFERENCES:		DRAWN:	J. MATTAS	DATE:	12-7-07	TITLE:	V1000 DIMENSION DRAWING FRAME SIZE 5 NEMA TYPE 1 ENCLOSURE 4A0001F		
		CHECKED:	M. RUCINSKI	DATE:	5-7-08				
UNITS: IN[mm]	SCALE: BY VIEW	<i>THIS DOCUMENT AND INFORMATION CONTAINED IN IT ARE CONFIDENTIAL, AND CANNOT BE COPIED OR DISCLOSED IN WHOLE OR IN PART WITHOUT THE EXPRESS WRITTEN CONSENT OF YASKAWA ELECTRIC AMERICA INC.</i>		TECH:	J. CAIRO	DATE:	2-18-08		
		APPROVED:	T. SASADA	DATE:	5-27-08	SIZE:	A	REVISION:	R00
		ORIGINAL DESIGN:	-	DATE:	-	DRAWING #:	DD.V1K.FR5.N1		

MINIMUM INSTALLATION CLEARANCES (SCALE 1:4)



NOTE:
FOR SIDE-BY-SIDE MOUNTING
CONSULT MANUAL

PANEL CUTOUT FOR EXTERNAL HEATSINK
MOUNTING CONFIGURATION (SCALE 1:4)

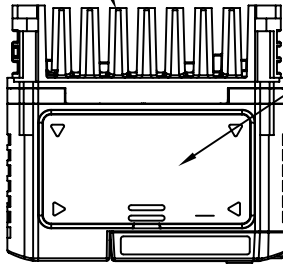


NOTES:
1. EXTERNAL HEATSINK
CONFIGURATION REQUIRES
MOUNTING KIT
2. EXPOSED HEATSINK
RECOMMENDED CLEARANCE
D=1.18" MINUS PANEL THICKNESS

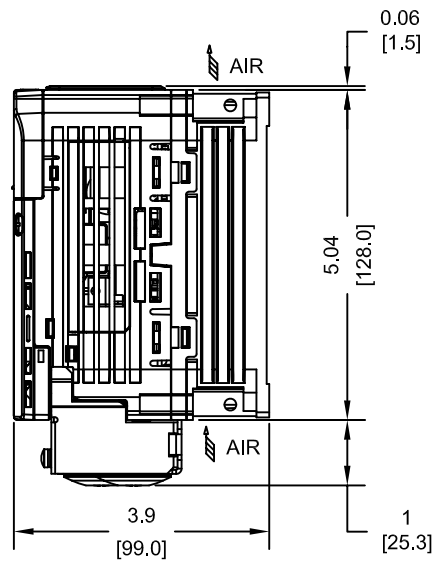
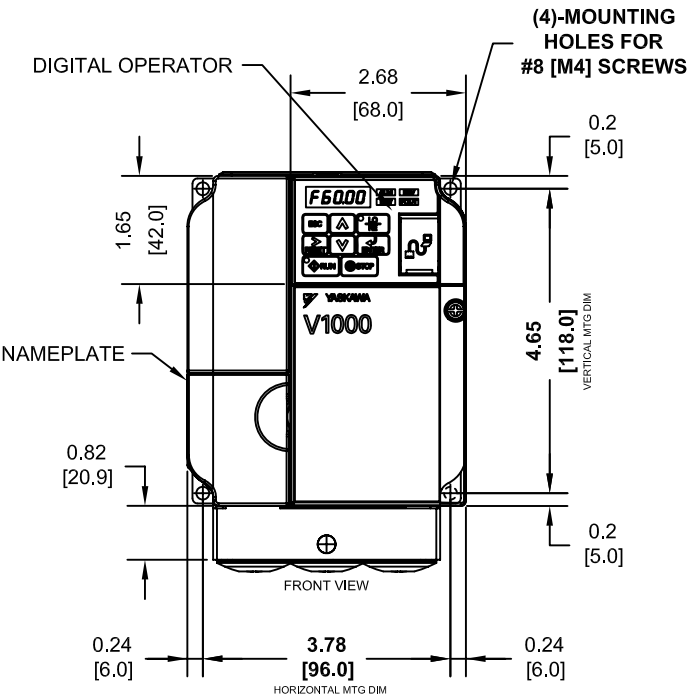
TOLERANCES / REFERENCES:		<p>YASKAWA The Drive for Quality™</p> <p>THIS DOCUMENT AND INFORMATION CONTAINED IN IT ARE CONFIDENTIAL, AND CANNOT BE COPIED OR DISCLOSED IN WHOLE OR IN PART WITHOUT THE EXPRESS WRITTEN CONSENT OF YASKAWA ELECTRIC AMERICA INC.</p>	DRAWN: J. MATTAS	DATE 12-7-07	TITLE: V1000 DIMENSION DRAWING FRAME SIZE 5 NEMA TYPE 1 ENCLOSURE 4A0001F
			CHECKED: M. RUCINSKI	DATE 5-7-08	
			TECH: J. CAIRO	DATE 2-18-08	
			APPROVED: T. SASADA	DATE 5-27-08	
UNITS: IN[mm]	SCALE: BY VIEW	ORIGINAL DESIGN:	-	DATE	-
		DRAWING #:		DD.V1K.FR5.N1	
		SIZE	REVISION	PAGE	
		A	R00	3 of 3	

NOTE:
 PROTECTIVE COVERS ARE FACTORY INSTALLED TO THE TOP AND BOTTOM OF THE DRIVE TO MEET IP20 & NEMA TYPE 1 REQUIREMENTS, RESULTING IN AN AMBIENT TEMPERATURE RATING OF 104F(40C). REMOVE THESE COVERS WHEN OPERATING THE DRIVE WITHIN A PANEL TO OBTAIN THE MAXIMUM SURROUNDING AIR TEMPERATURE RATING OF 122F(50C). REMOVING THESE COVERS RESULTS IN AN ENCLOSURE RATING OF IP00.

NATURAL CONVECTION COOLING

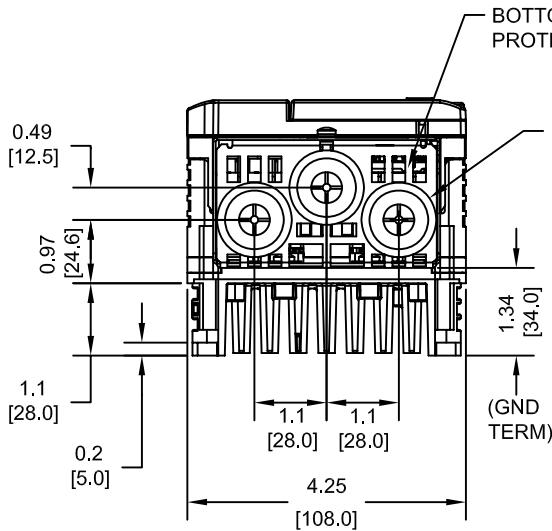


TOP PROTECTIVE COVER



BOTTOM PROTECTIVE COVER

(3)-Ø0.87 [22] HOLE WITH RUBBER BUSHING



MODEL # CIMR-VU	VOLTAGE THREE PHASE (VAC)	OUTPUT CURRENT (A)		WEIGHT LBS (Kg)	HEAT LOSS (W)					
		ND	HD		ND (Fc=2kHz)			HD (Fc=8kHz)		
		INT	EXT	TOT	INT	EXT	TOT	INT	EXT	TOT
4A0002FXX	380/480	2.1	1.8	3.1 (1.4)	13.9	18.5	32.4	14.8	28.9	43.7

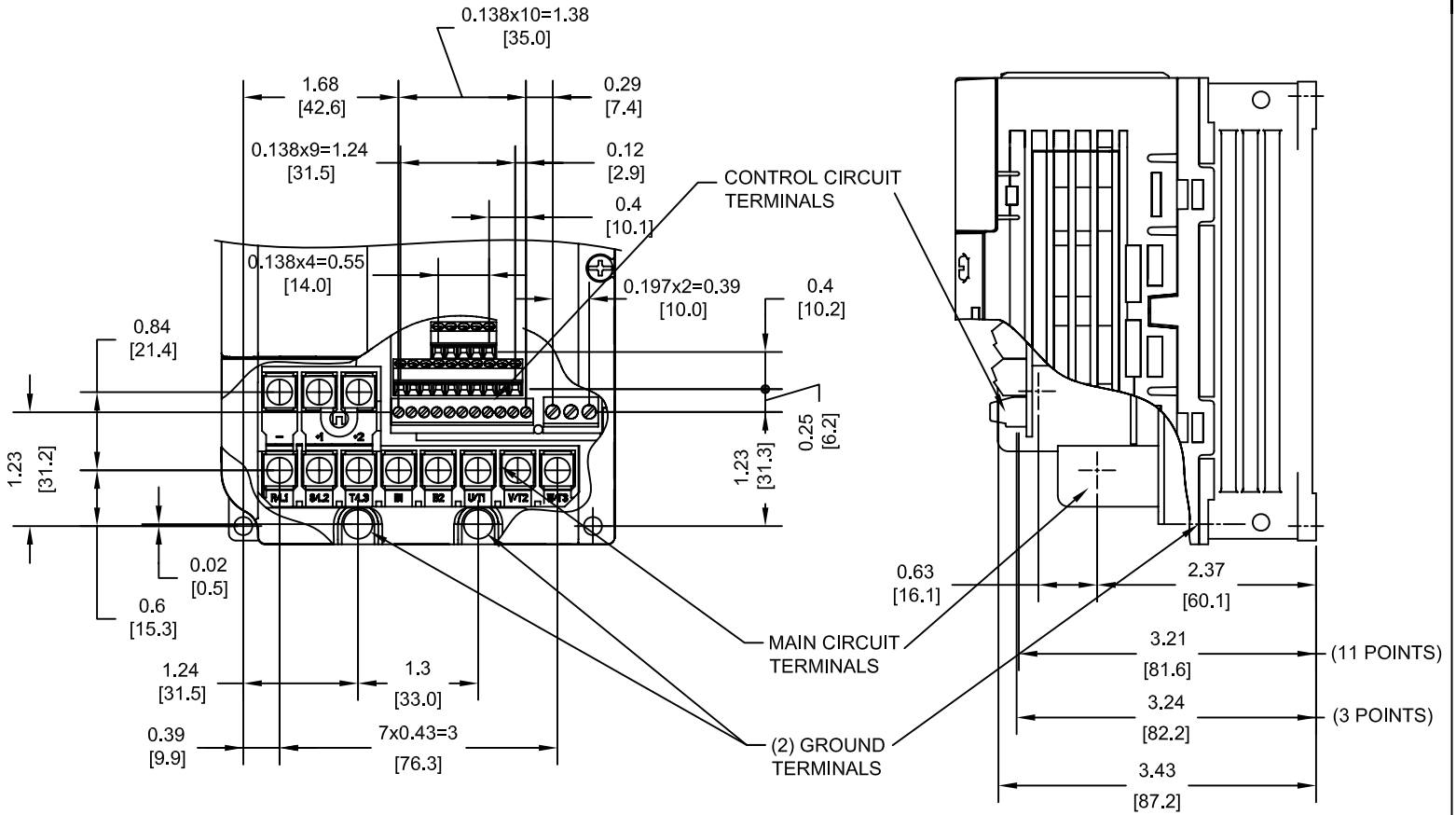
NOTE:
 XX DENOTES AA-ZZ

INT=INTERNAL COMPONENTS
 EXT=EXTERNAL HEATSINK
 TOT=TOTAL

FOR ADDITIONAL DETAILS AND SPECIFICATIONS, CONSULT MANUAL

TOLERANCES / REFERENCES:		<p>YASKAWA The Drive for Quality™</p> <p>THIS DOCUMENT AND INFORMATION CONTAINED IN IT ARE CONFIDENTIAL, AND CANNOT BE COPIED OR DISCLOSED IN WHOLE OR IN PART WITHOUT THE EXPRESS WRITTEN CONSENT OF YASKAWA ELECTRIC AMERICA INC.</p>	DRAWN: J. MATTAS CHECKED: M. RUCINSKI TECH: J. CAIRO APPROVED: T. SASADA ORIGINAL DESIGN: -	DATE 12-11-07 DATE 5-7-08 DATE 3-24-08 DATE 5-27-08 DATE -	TITLE: V1000 DIMENSION DRAWING FRAME SIZE 6 NEMA TYPE 1 ENCLOSURE 4A0002F
UNITS: IN[mm]	SCALE: 1:3		SIZE A REVISION R00 DRAWING #: DD.V1K.FR6.N1	PAGE 1 of 3	

TERMINAL AND WIRING DETAILS (SCALE 1:2)




TERMINAL AND WIRE SPECIFICATIONS FOR
MAIN CIRCUIT AND GROUND

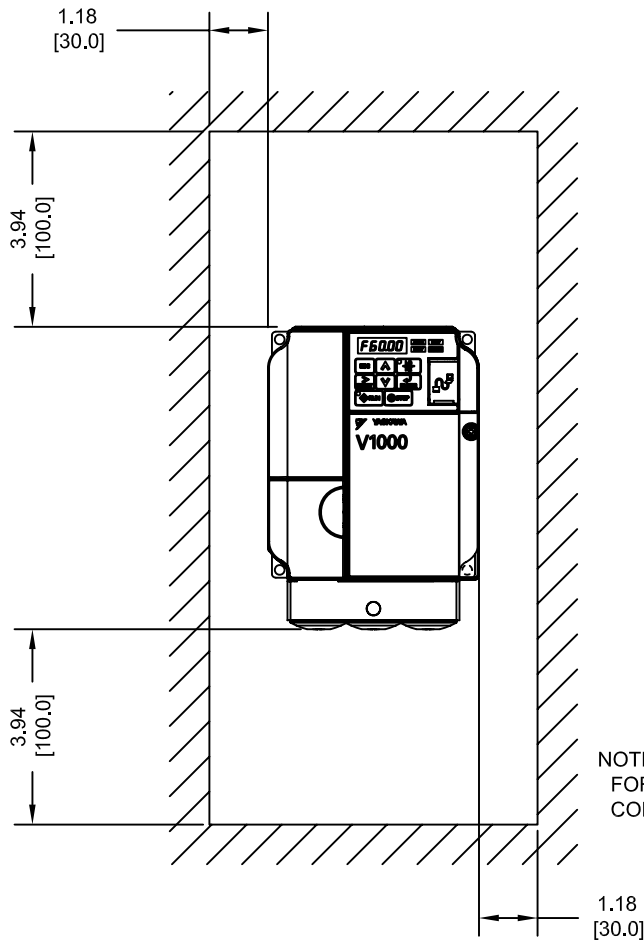
MODEL #	TERMINAL SCREW	CLAMPING TORQUE lb.in.(N.m.)	WIRE RANGE AWG(mm ²)
4A0002F	M4	10.6 TO 13.3 (1.2 TO 1.5)	22-10 (0.33-5.5)

NOTE: RATINGS APPLY TO BOTH FACTORY AND FIELD WIRING
REFER TO APPLICABLE CODES FOR PROPER WIRE TYPE AND SIZE

FOR ADDITIONAL DETAILS AND SPECIFICATIONS, CONSULT MANUAL

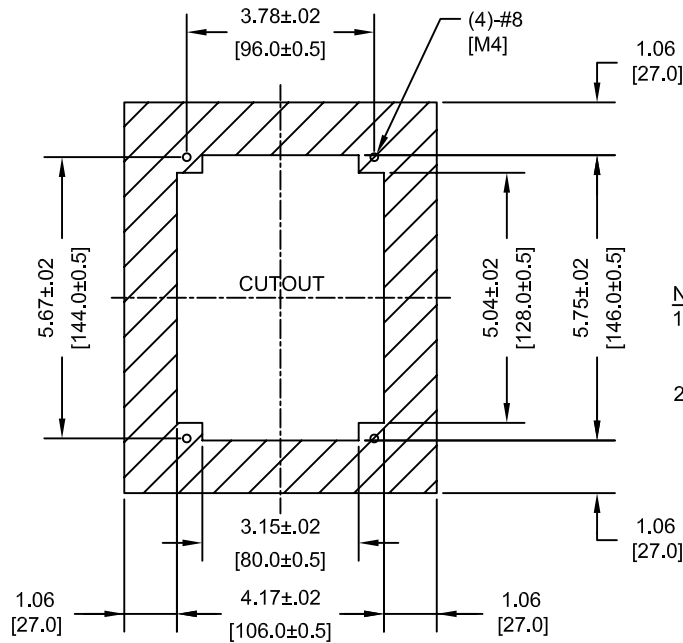
TOLERANCES / REFERENCES:	 YASKAWA <i>The Drive for Quality™</i>	DRAWN:	J. MATTAS	DATE:	12-11-07	TITLE:	V1000 DIMENSION DRAWING		
		CHECKED:	M. RUCINSKI	DATE:	5-7-08		FRAME SIZE 6		
THIS DOCUMENT AND INFORMATION CONTAINED IN IT ARE CONFIDENTIAL, AND CANNOT BE COPIED OR DISCLOSED IN WHOLE OR IN PART WITHOUT THE EXPRESS WRITTEN CONSENT OF YASKAWA ELECTRIC AMERICA INC.		TECH:	J. CAIRO	DATE:	3-24-08	NEMA TYPE 1 ENCLOSURE			
		APPROVED:	T. SASADA	DATE:	5-27-08	SIZE:	REVISION:	PAGE:	
		ORIGINAL DESIGN:	-	DATE:	-	A	R00	2 of 3	
UNITS:	SCALE:	DRAWING #:				DD.V1K.FR6.N1			
IN[mm]	BY VIEW								

MINIMUM INSTALLATION CLEARANCES (SCALE 1:4)



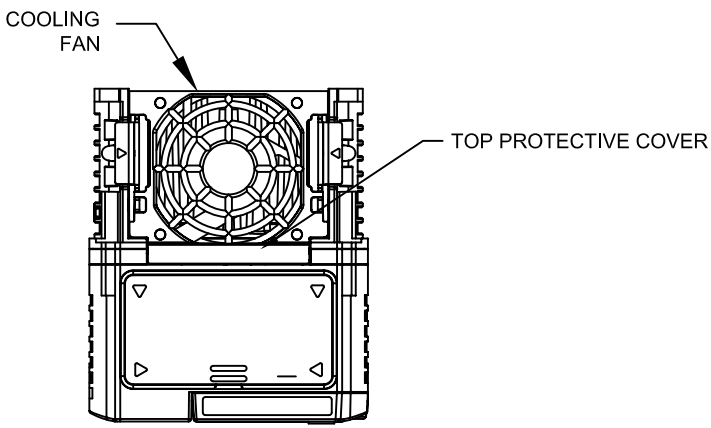
NOTE:
FOR SIDE-BY-SIDE MOUNTING
CONSULT MANUAL

PANEL CUTOUT FOR EXTERNAL HEATSINK
MOUNTING CONFIGURATION (SCALE 1:4)

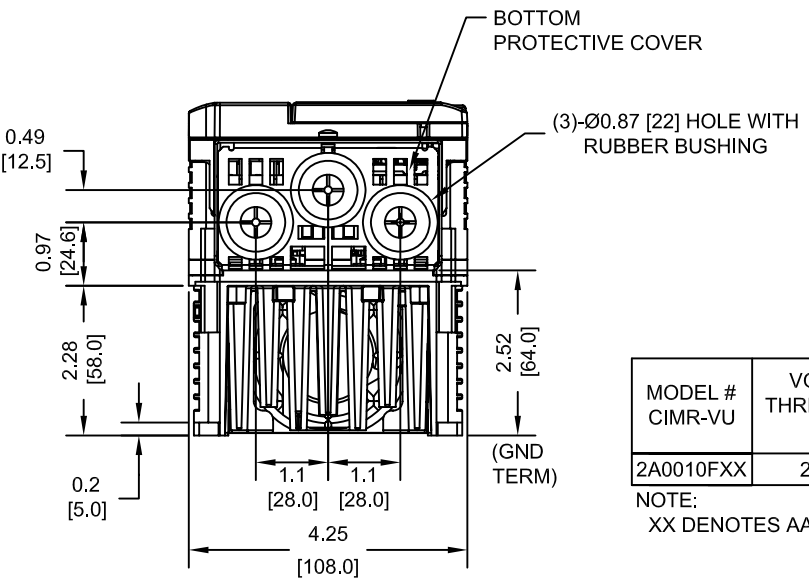
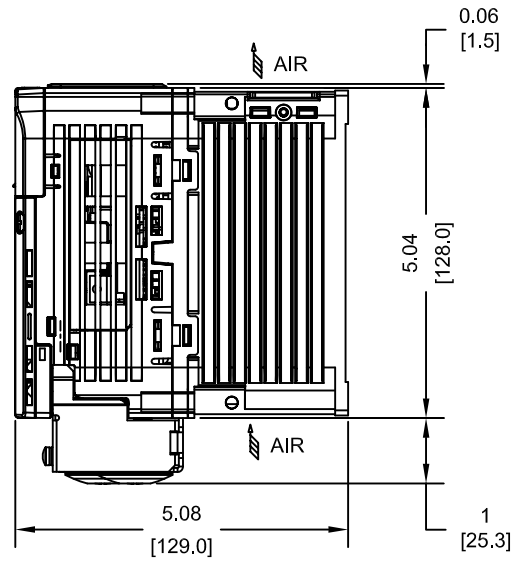
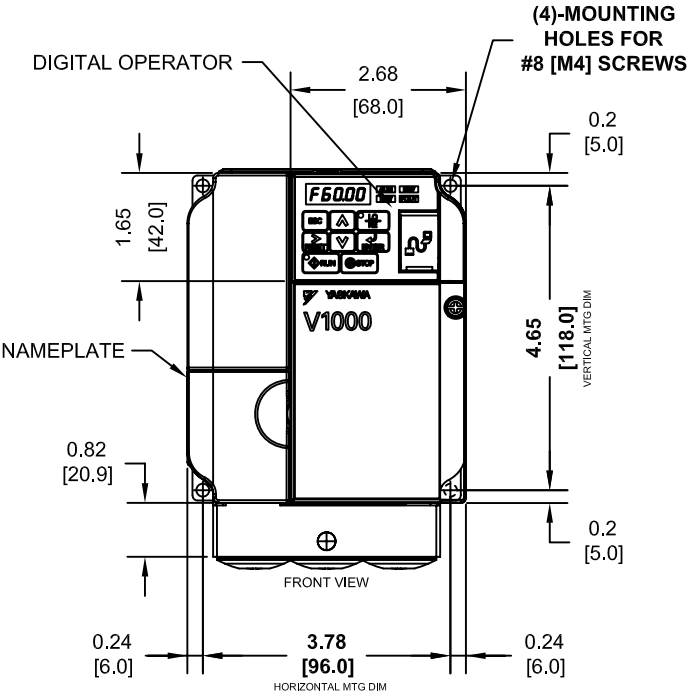


NOTES:
1. EXTERNAL HEATSINK
CONFIGURATION REQUIRES
MOUNTING KIT
2. EXPOSED HEATSINK
RECOMMENDED CLEARANCE
D=1.57" MINUS PANEL THICKNESS

TOLERANCES / REFERENCES:		<p>YASKAWA The Drive for Quality™</p>	DRAWN: J. MATTAS	DATE: 12-11-07	TITLE: V1000 DIMENSION DRAWING
<p>THIS DOCUMENT AND INFORMATION CONTAINED IN IT ARE CONFIDENTIAL, AND CANNOT BE COPIED OR DISCLOSED IN WHOLE OR IN PART WITHOUT THE EXPRESS WRITTEN CONSENT OF YASKAWA ELECTRIC AMERICA INC.</p>			CHECKED: M. RUCINSKI	DATE: 5-7-08	FRAME SIZE 6 NEMA TYPE 1 ENCLOSURE 4A0002F
UNITS: IN[mm]	SCALE: BY VIEW		TECH: J. CAIRO	DATE: 3-24-08	SIZE: A
			APPROVED: T. SASADA	DATE: 5-27-08	REVISION: R00
			ORIGINAL DESIGN: -	DATE: -	PAGE: 3 of 3
					DRAWING #: DD.V1K.FR6.N1



NOTE:
 PROTECTIVE COVERS ARE FACTORY INSTALLED TO THE TOP AND BOTTOM OF THE DRIVE TO MEET IP20 & NEMA TYPE 1 REQUIREMENTS, RESULTING IN AN AMBIENT TEMPERATURE RATING OF 104F(40C). REMOVE THESE COVERS WHEN OPERATING THE DRIVE WITHIN A PANEL TO OBTAIN THE MAXIMUM SURROUNDING AIR TEMPERATURE RATING OF 122F(50C). REMOVING THESE COVERS RESULTS IN AN ENCLOSURE RATING OF IP00.



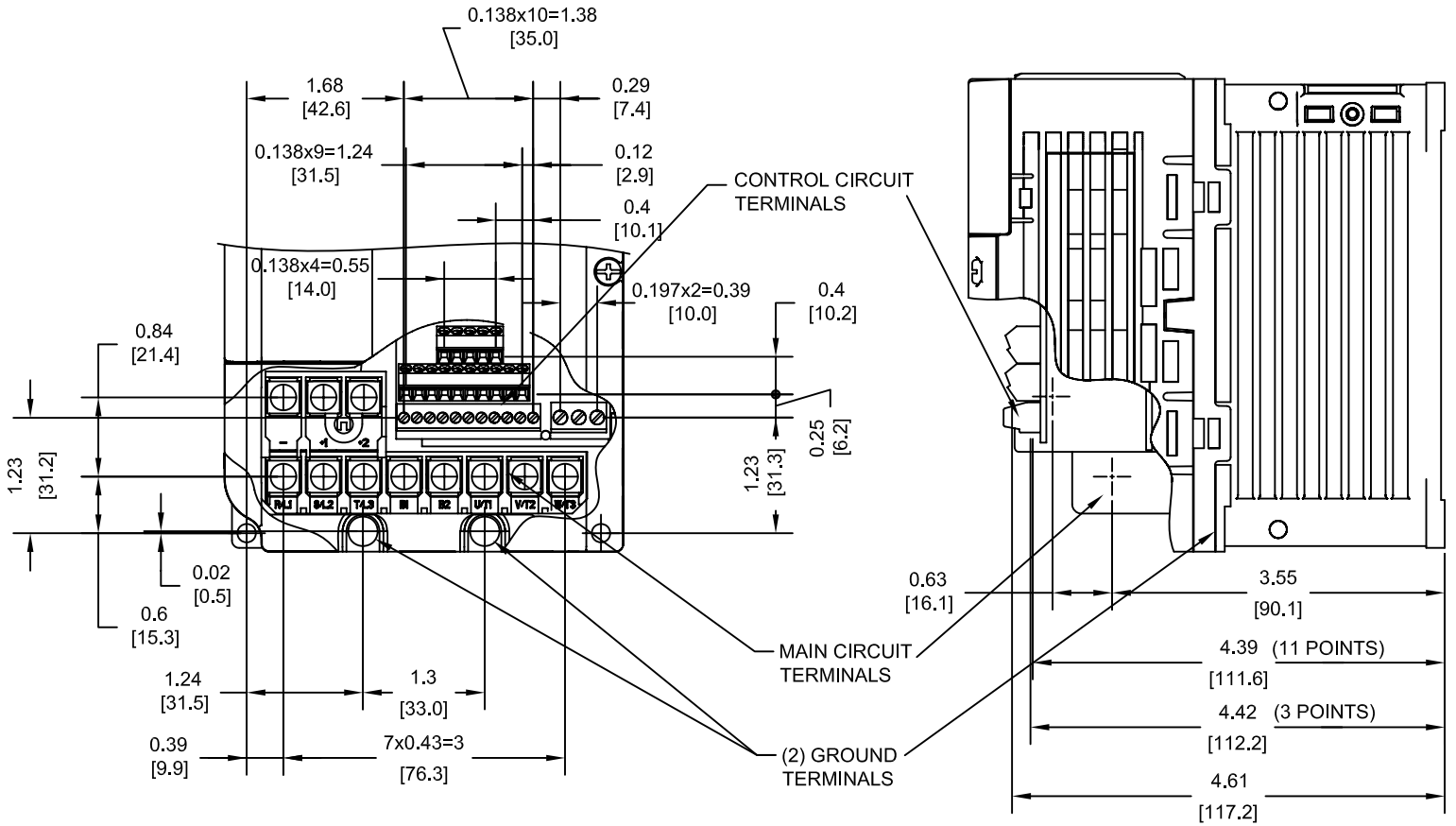
MODEL # CIMR-VU	VOLTAGE THREE PHASE (VAC)	OUTPUT CURRENT (A)		WEIGHT LBS (Kg)	HEAT LOSS (W)					
		ND	HD		ND (Fc=2kHz)			HD (Fc=8kHz)		
		INT	EXT	TOT	INT	EXT	TOT	INT	EXT	TOT
2A0010FXX	208/240	9.6	8.0	4.2 (1.9)	25.8	51.7	77.5	23.8	54.8	78.6

NOTE:
 XX DENOTES AA-ZZ
 INT=INTERNAL COMPONENTS
 EXT=EXTERNAL HEATSINK
 TOT=TOTAL

FOR ADDITIONAL DETAILS AND SPECIFICATIONS, CONSULT MANUAL

TOLERANCES / REFERENCES:		<p>YASKAWA The Drive for Quality™</p> <p><i>THIS DOCUMENT AND INFORMATION CONTAINED IN IT ARE CONFIDENTIAL, AND CANNOT BE COPIED OR DISCLOSED IN WHOLE OR IN PART WITHOUT THE EXPRESS WRITTEN CONSENT OF YASKAWA ELECTRIC AMERICA INC.</i></p>	DRAWN: J. MATTAS	DATE: 12-11-07	TITLE: V1000 DIMENSION DRAWING FRAME SIZE 7 NEMA TYPE 1 ENCLOSURE 2A0010F
UNITS: IN[mm]	SCALE: 1:3		CHECKED: M. RUCINSKI	DATE: 5-7-08	
			TECH: J. CAIRO	DATE: 3-24-08	
			APPROVED: T. SASADA	DATE: 5-27-08	
		ORIGINAL DESIGN:	-	DATE:	-
					DRAWING #: DD.V1K.FR7.N1
					SIZE: A REVISION: R00 PAGE: 1 of 3

TERMINAL AND WIRING DETAILS (SCALE 1:2)




TERMINAL AND WIRE SPECIFICATIONS FOR
MAIN CIRCUIT AND GROUND

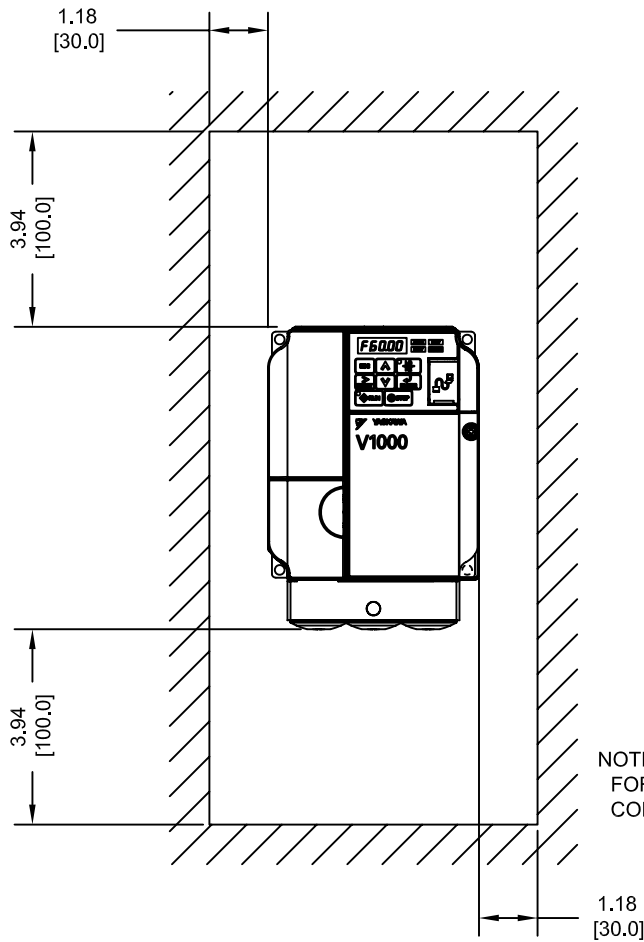
MODEL #	TERMINAL SCREW	CLAMPING TORQUE lb.in.(N.m.)	WIRE RANGE AWG(mm ²)
2A0010F	M4	10.6 TO 13.3 (1.2 TO 1.5)	22-10 (0.33-5.5)

NOTE: RATINGS APPLY TO BOTH FACTORY AND FIELD WIRING
REFER TO APPLICABLE CODES FOR PROPER WIRE TYPE AND SIZE

FOR ADDITIONAL DETAILS AND SPECIFICATIONS, CONSULT MANUAL

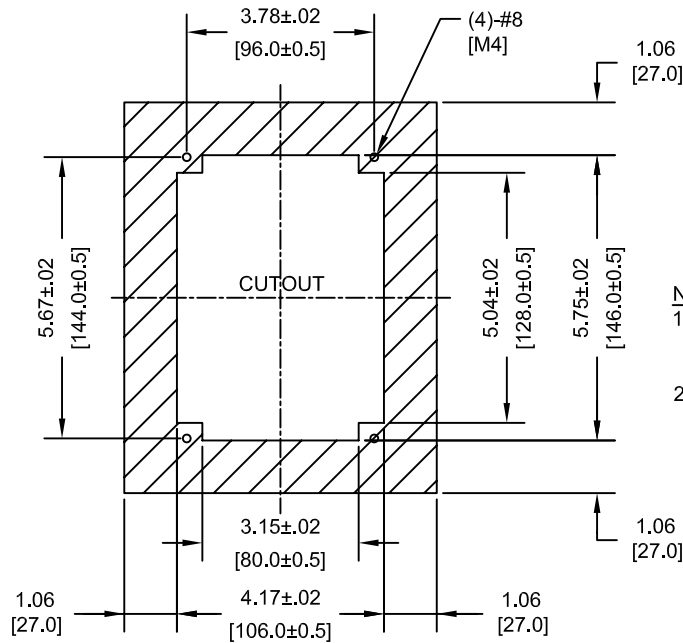
TOLERANCES / REFERENCES:	 YASKAWA <i>The Drive for Quality™</i>	DRAWN:	J. MATTAS	DATE:	12-11-07	TITLE:	V1000 DIMENSION DRAWING FRAME SIZE 7 NEMA TYPE 1 ENCLOSURE 2A0010F		
		CHECKED:	M. RUCINSKI	DATE:	5-7-08				
UNITS: IN[mm]	SCALE: BY VIEW	THIS DOCUMENT AND INFORMATION CONTAINED IN IT ARE CONFIDENTIAL, AND CANNOT BE COPIED OR DISCLOSED IN WHOLE OR IN PART WITHOUT THE EXPRESS WRITTEN CONSENT OF YASKAWA ELECTRIC AMERICA INC.		TECH:	J. CAIRO	DATE:	3-24-08		
		APPROVED:	T. SASADA	DATE:	5-27-08	SIZE:	A	REVISION:	R00
		ORIGINAL DESIGN:	-	DATE:	-	DRAWING #:	DD.V1K.FR7.N1		

MINIMUM INSTALLATION CLEARANCES (SCALE 1:4)



NOTE:
FOR SIDE-BY-SIDE MOUNTING
CONSULT MANUAL

PANEL CUTOUT FOR EXTERNAL HEATSINK
MOUNTING CONFIGURATION (SCALE 1:4)

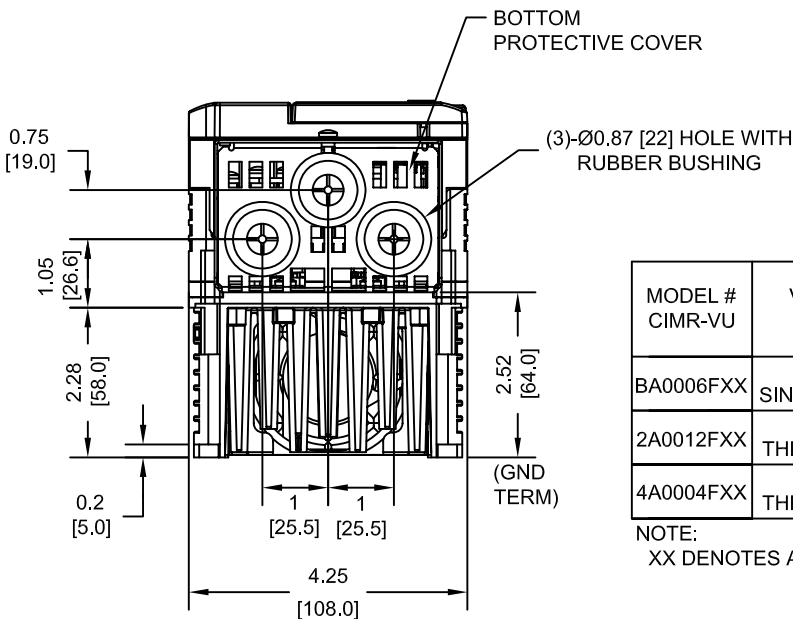
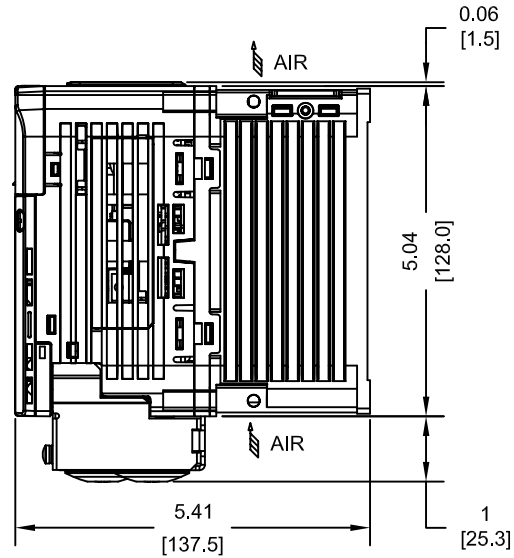
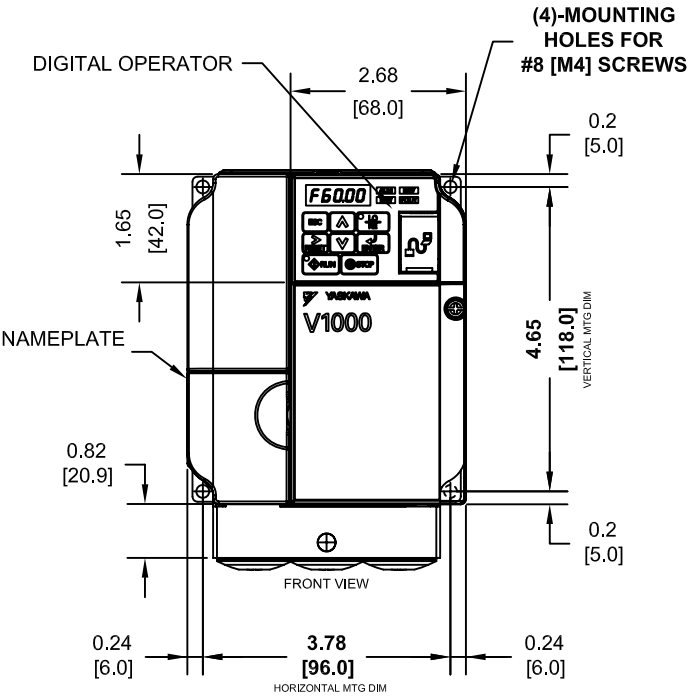
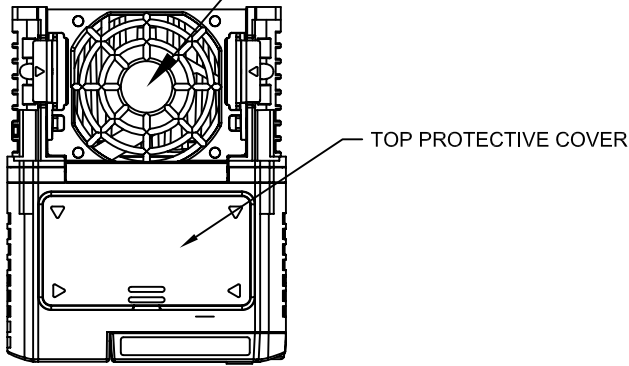


NOTES:
1. EXTERNAL HEATSINK
CONFIGURATION REQUIRES
MOUNTING KIT
2. EXPOSED HEATSINK
RECOMMENDED CLEARANCE
D=2.76" MINUS PANEL THICKNESS

TOLERANCES / REFERENCES:		<p>YASKAWA The Drive for Quality™</p>	DRAWN: J. MATTAS	DATE 12-11-07	TITLE: V1000 DIMENSION DRAWING
<p><i>THIS DOCUMENT AND INFORMATION CONTAINED IN IT ARE CONFIDENTIAL, AND CANNOT BE COPIED OR DISCLOSED IN WHOLE OR IN PART WITHOUT THE EXPRESS WRITTEN CONSENT OF YASKAWA ELECTRIC AMERICA INC.</i></p>			CHECKED: M. RUCINSKI	DATE 5-7-08	FRAME SIZE 7 NEMA TYPE 1 ENCLOSURE 2A0010F
UNITS: IN[mm]	SCALE: BY VIEW		TECH: J. CAIRO	DATE 3-24-08	SIZE A
			APPROVED: T. SASADA	DATE 5-27-08	REVISION R00
			ORIGINAL DESIGN: -	DATE -	PAGE 3 of 3
					DRAWING #: DD.V1K.FR7.N1

2A0012F: COOLING FAN
 BA0006F: NATURAL CONVECTION
 4A0004F: NATURAL CONVECTION

NOTE:
 PROTECTIVE COVERS ARE FACTORY INSTALLED TO THE TOP AND BOTTOM OF THE DRIVE TO MEET IP20 & NEMA TYPE 1 REQUIREMENTS, RESULTING IN AN AMBIENT TEMPERATURE RATING OF 104F(40C). REMOVE THESE COVERS WHEN OPERATING THE DRIVE WITHIN A PANEL TO OBTAIN THE MAXIMUM SURROUNDING AIR TEMPERATURE RATING OF 122F(50C). REMOVING THESE COVERS RESULTS IN AN ENCLOSURE RATING OF IP00.



MODEL # CIMR-VU	VOLTAGE (VAC)	OUTPUT CURRENT (A)		WEIGHT LBS (Kg)	HEAT LOSS (W)					
		ND	HD		ND (Fc=2kHz)			HD (Fc=8kHz)		
					INT	EXT	TOT	INT	EXT	TOT
BA0006FXX	208/240 SINGLE PHASE	6.0	5.0	4.2 (1.9)	19.4	30.1	49.5	16.8	33.7	50.5
2A0012FXX	208/240 THREE PHASE	12.0	11.0	4.2 (1.9)	30.4	61.3	91.7	29.9	70.7	100.6
4A0004FXX	380/480 THREE PHASE	4.1	3.4	4.2 (1.9)	16.8	30.5	47.3	17.9	42.3	60.2

NOTE:
 XX DENOTES AA-ZZ
 INT=INTERNAL COMPONENTS
 EXT=EXTERNAL HEATSINK
 TOT=TOTAL

FOR ADDITIONAL DETAILS AND SPECIFICATIONS, CONSULT MANUAL

TOLERANCES / REFERENCES:



THIS DOCUMENT AND INFORMATION CONTAINED IN IT ARE CONFIDENTIAL, AND CANNOT BE COPIED OR DISCLOSED IN WHOLE OR IN PART WITHOUT THE EXPRESS WRITTEN CONSENT OF YASKAWA ELECTRIC AMERICA INC.

DRAWN: J. MATTAS

CHECKED: M. RUCINSKI

TECH: J. CAIRO

APPROVED: T. SASADA

ORIGINAL DESIGN: -

DATE

DATE

DATE

DATE

DATE

TITLE:

V1000 DIMENSION DRAWING

FRAME SIZE 8

NEMA TYPE 1 ENCLOSURE

BA0006F, 2A0012F & 4A0004F

SIZE REVISION PAGE

A R00 1 of 3

DRAWING #: DD.V1K.FR8.N1

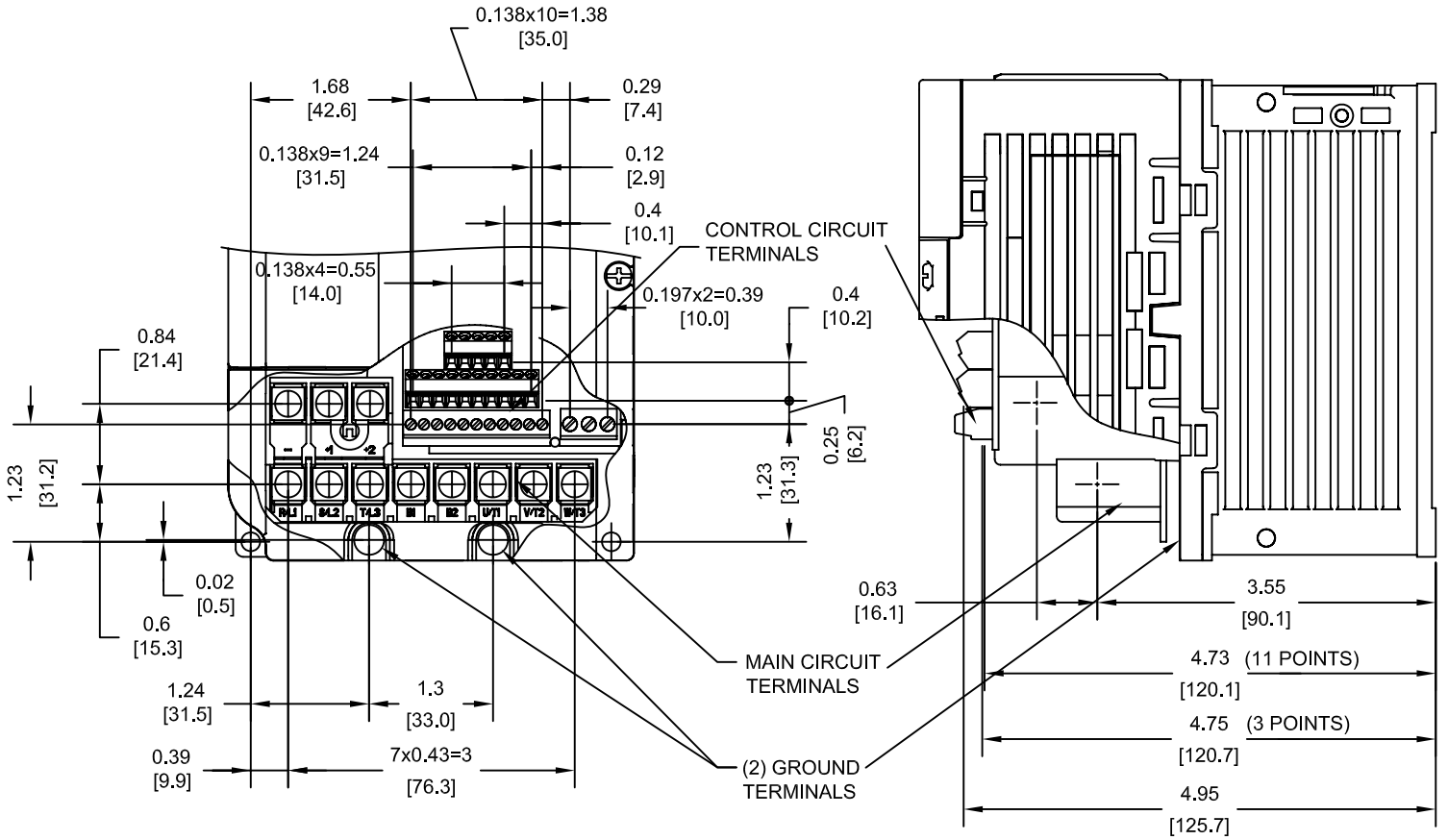
UNITS:

IN[mm]

SCALE:

1:3

TERMINAL AND WIRING DETAILS (SCALE 1:2)



TERMINAL AND WIRE SPECIFICATIONS FOR
MAIN CIRCUIT AND GROUND

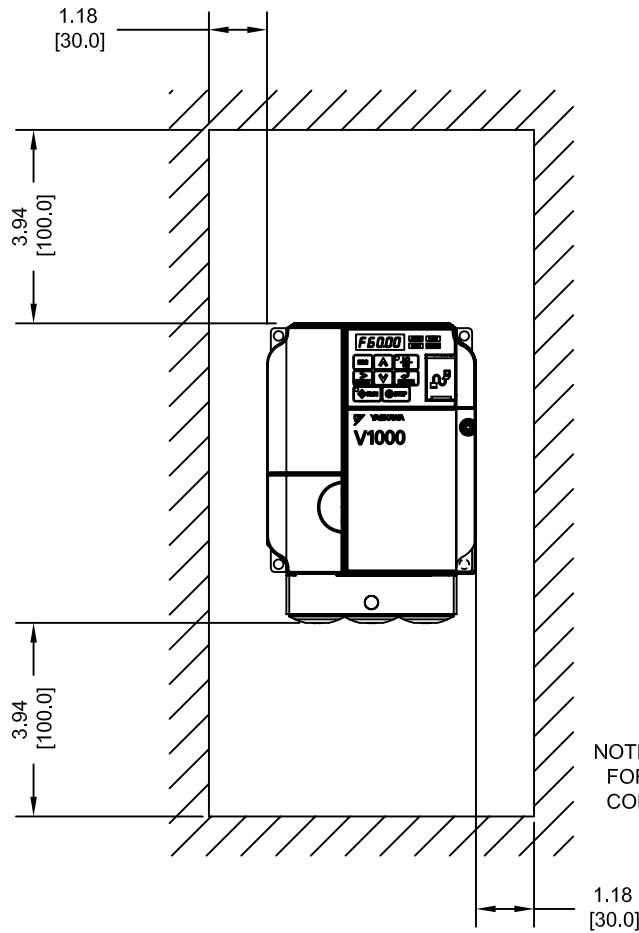
MODEL #	TERMINAL SCREW	CLAMPING TORQUE lb.in.(N.m.)	WIRE RANGE AWG(mm ²)
BA0006F	M4	10.6 TO 13.3 (1.2 TO 1.5)	22-10 (0.33-5.5)
2A0012F	M4	10.6 TO 13.3 (1.2 TO 1.5)	22-10 (0.33-5.5)
4A0004F	M4	10.6 TO 13.3 (1.2 TO 1.5)	22-10 (0.33-5.5)

NOTE: RATINGS APPLY TO BOTH FACTORY AND FIELD WIRING
REFER TO APPLICABLE CODES FOR PROPER WIRE TYPE AND SIZE

FOR ADDITIONAL DETAILS AND SPECIFICATIONS, CONSULT MANUAL

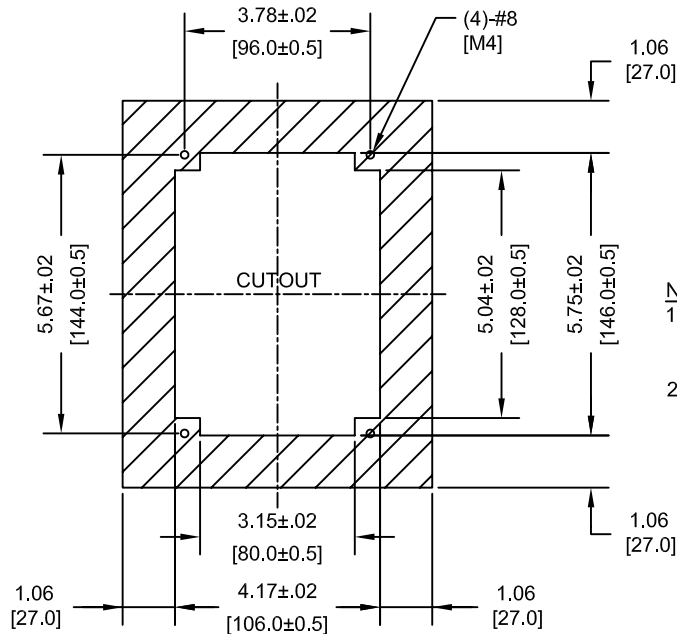
TOLERANCES / REFERENCES:	<p><i>THIS DOCUMENT AND INFORMATION CONTAINED IN IT ARE CONFIDENTIAL, AND CANNOT BE COPIED OR DISCLOSED IN WHOLE OR IN PART WITHOUT THE EXPRESS WRITTEN CONSENT OF YASKAWA ELECTRIC AMERICA INC.</i></p>	DRAWN: J. MATTAS DATE: 12-12-07	TITLE: V1000 DIMENSION DRAWING	
		CHECKED: M. RUCINSKI DATE: 5-7-08	FRAME SIZE 8 NEMA TYPE 1 ENCLOSURE	
		TECH: J. CAIRO DATE: 3-24-08	BA0006F, 2A0012F & 4A0004F	
		APPROVED: T. SASADA DATE: 5-27-08	SIZE: A	REVISION: R00
UNITS: IN[mm]	SCALE: BY VIEW	ORIGINAL DESIGN: -	DATE: -	DRAWING #: DD.V1K.FR8.N1

MINIMUM INSTALLATION CLEARANCES (SCALE 1:4)



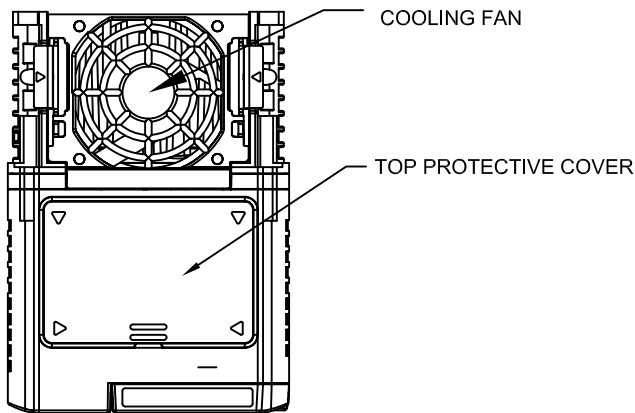
NOTE:
FOR SIDE-BY-SIDE MOUNTING
CONSULT MANUAL

PANEL CUTOUT FOR EXTERNAL HEATSINK
MOUNTING CONFIGURATION (SCALE 1:4)

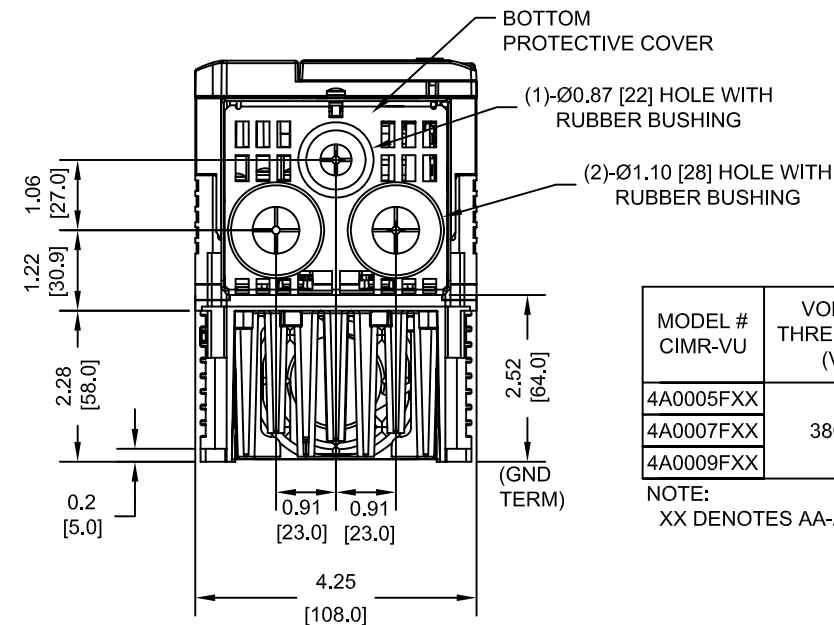
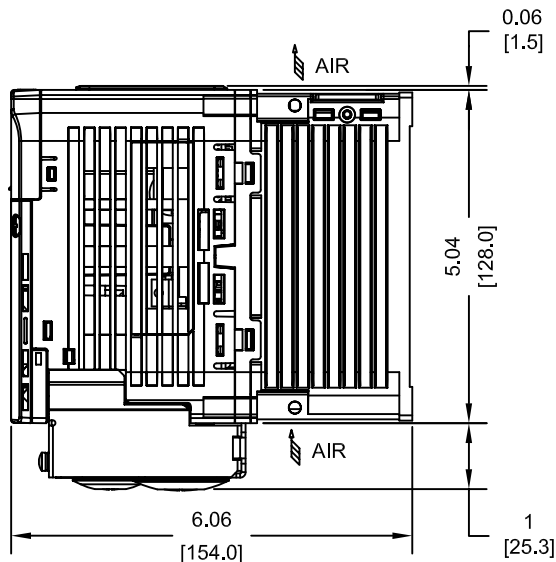
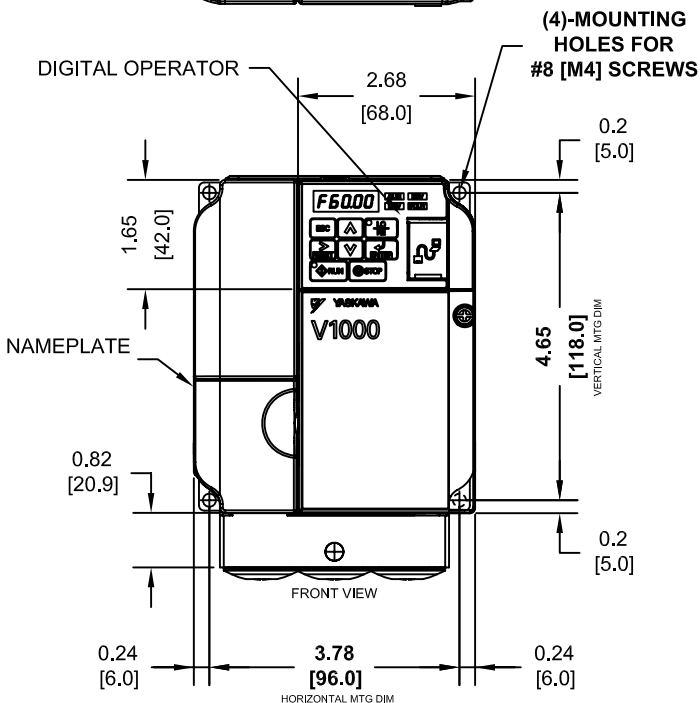


NOTES:
1. EXTERNAL HEATSINK
CONFIGURATION REQUIRES
MOUNTING KIT
2. EXPOSED HEATSINK
RECOMMENDED CLEARANCE
D=2.76" MINUS PANEL THICKNESS

TOLERANCES / REFERENCES:		<p>YASKAWA The Drive for Quality™</p> <p>THIS DOCUMENT AND INFORMATION CONTAINED IN IT ARE CONFIDENTIAL, AND CANNOT BE COPIED OR DISCLOSED IN WHOLE OR IN PART WITHOUT THE EXPRESS WRITTEN CONSENT OF YASKAWA ELECTRIC AMERICA INC.</p>	DRAWN: J. MATTAS	DATE: 12-12-07	TITLE: V1000 DIMENSION DRAWING FRAME SIZE 8 NEMA TYPE 1 ENCLOSURE BA0006F, 2A0012F & 4A0004F
			CHECKED: M. RUCINSKI	DATE: 5-7-08	
			TECH: J. CAIRO	DATE: 3-24-08	
			APPROVED: T. SASADA	DATE: 5-27-08	
UNITS: IN[mm]	SCALE: BY VIEW	ORIGINAL DESIGN:		DATE:	
					DRAWING #: DD.V1K.FR8.N1



NOTE:
 PROTECTIVE COVERS ARE FACTORY INSTALLED TO THE TOP AND BOTTOM OF THE DRIVE TO MEET IP20 & NEMA TYPE 1 REQUIREMENTS, RESULTING IN AN AMBIENT TEMPERATURE RATING OF 104F(40C). REMOVE THESE COVERS WHEN OPERATING THE DRIVE WITHIN A PANEL TO OBTAIN THE MAXIMUM SURROUNDING AIR TEMPERATURE RATING OF 122F(50C). REMOVING THESE COVERS RESULTS IN AN ENCLOSURE RATING OF IP00.



MODEL # CIMR-VU	VOLTAGE THREE PHASE (VAC)	OUTPUT CURRENT (A)		WEIGHT LBS (Kg)	HEAT LOSS (W)					
					ND (Fc=2kHz)			HD (Fc=8kHz)		
		ND	HD		INT	EXT	TOT	INT	EXT	TOT
4A0005FXX	380/480	5.4	4.8	4.2 (1.9)	21.8	44.5	66.3	26.2	70.7	96.9
4A0007FXX		6.9	5.5	4.2 (1.9)	28.4	58.5	86.9	30.7	81.0	111.7
4A0009FXX		8.8	7.2	4.2 (1.9)	31.4	63.7	95.1	32.9	84.6	117.5

NOTE:
 XX DENOTES AA-ZZ

INT=INTERNAL COMPONENTS
 EXT=EXTERNAL HEATSINK
 TOT=TOTAL

FOR ADDITIONAL DETAILS AND SPECIFICATIONS, CONSULT MANUAL

TOLERANCES / REFERENCES:



THIS DOCUMENT AND INFORMATION CONTAINED IN IT ARE CONFIDENTIAL, AND CANNOT BE COPIED OR DISCLOSED IN WHOLE OR IN PART WITHOUT THE EXPRESS WRITTEN CONSENT OF YASKAWA ELECTRIC AMERICA INC.

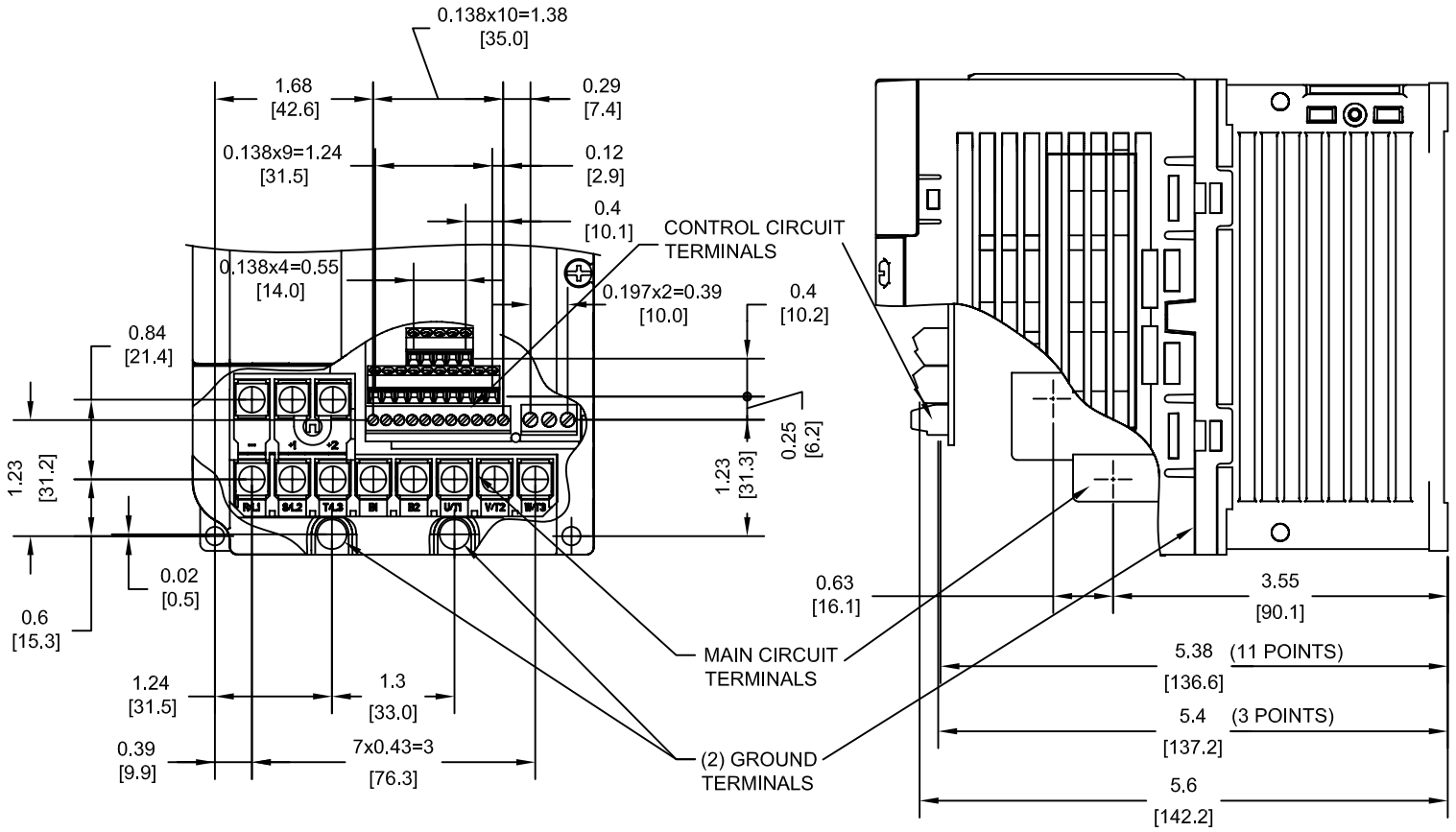
DRAWN: J. MATTAS	DATE 12-18-07
CHECKED: M. RUCINSKI	DATE 5-7-08
TECH: J. CAIRO	DATE 3-24-08
APPROVED: T. SASADA	DATE 5-27-08
ORIGINAL DESIGN: -	DATE -

TITLE: V1000 DIMENSION DRAWING		
FRAME SIZE 9		
NEMA TYPE 1 ENCLOSURE		
4A0005F, 4A0007F & 4A0009F		
SIZE A	REVISION R00	PAGE 1 of 3
DRAWING #: DD.V1K.FR9.N1		

UNITS:
IN[mm]

SCALE:
1:3

TERMINAL AND WIRING DETAILS (SCALE 1:2)



TERMINAL AND WIRE SPECIFICATIONS FOR MAIN CIRCUIT AND GROUND

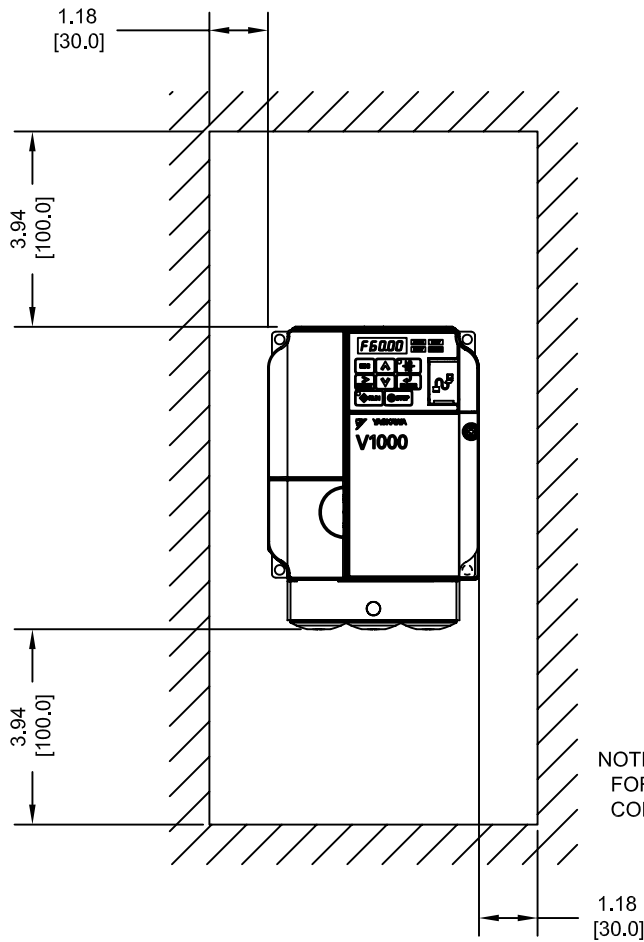
MODEL # CIMR-VU	TERMINAL SCREW	CLAMPING TORQUE lb.in.(N.m.)	WIRE RANGE AWG(mm ²)
4A0005F	M4	10.6 TO 13.3 (1.2 TO 1.5)	22-10 (0.33-5.5)
4A0007F	M4	10.6 TO 13.3 (1.2 TO 1.5)	22-10 (0.33-5.5)
4A0009F	M4	10.6 TO 13.3 (1.2 TO 1.5)	22-10 (0.33-5.5)

NOTE: RATINGS APPLY TO BOTH FACTORY AND FIELD WIRING
REFER TO APPLICABLE CODES FOR PROPER WIRE TYPE AND SIZE

FOR ADDITIONAL DETAILS AND SPECIFICATIONS, CONSULT MANUAL

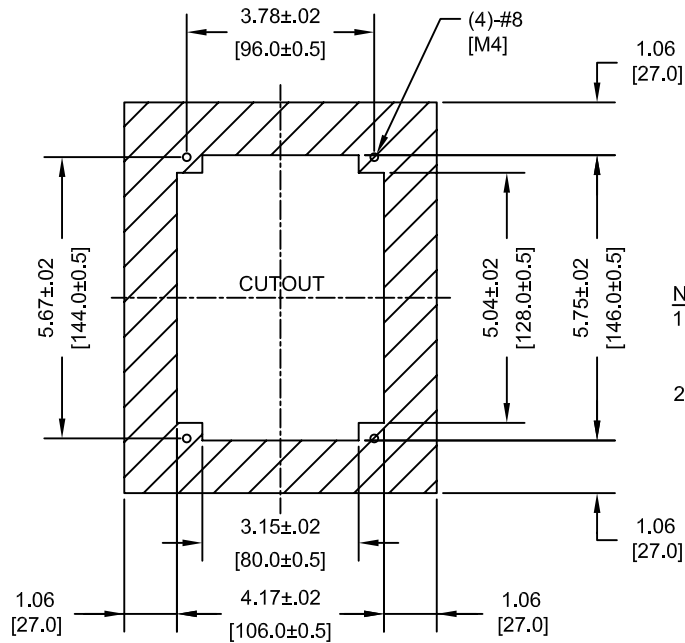
TOLERANCES / REFERENCES:		<p>THIS DOCUMENT AND INFORMATION CONTAINED IN IT ARE CONFIDENTIAL, AND CANNOT BE COPIED OR DISCLOSED IN WHOLE OR IN PART WITHOUT THE EXPRESS WRITTEN CONSENT OF YASKAWA ELECTRIC AMERICA INC.</p>	DRAWN: J. MATTAS	DATE 12-18-07	TITLE: V1000 DIMENSION DRAWING FRAME SIZE 9 NEMA TYPE 1 ENCLOSURE 4A0005F, 4A0007F & 4A0009F	
UNITS: IN[mm]			CHECKED: M. RUCINSKI	DATE 5-7-08		SIZE A
SCALE: BY VIEW			APPROVED: T. SASADA	DATE 5-27-08		REVISION R00
			ORIGINAL DESIGN: -	DATE -		PAGE 2 of 3
					DRAWING #: DD.V1K.FR9.N1	

MINIMUM INSTALLATION CLEARANCES (SCALE 1:4)



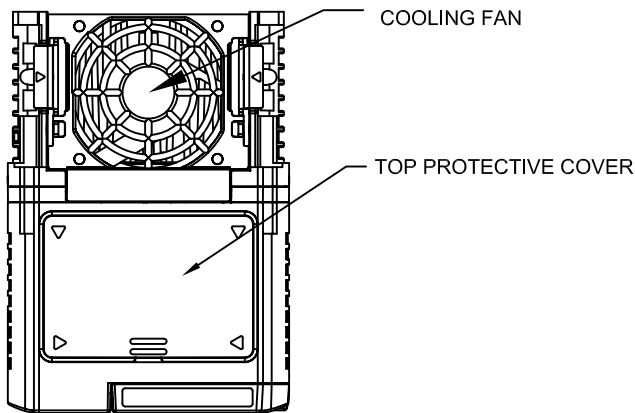
NOTE:
FOR SIDE-BY-SIDE MOUNTING
CONSULT MANUAL

PANEL CUTOUT FOR EXTERNAL HEATSINK
MOUNTING CONFIGURATION (SCALE 1:4)

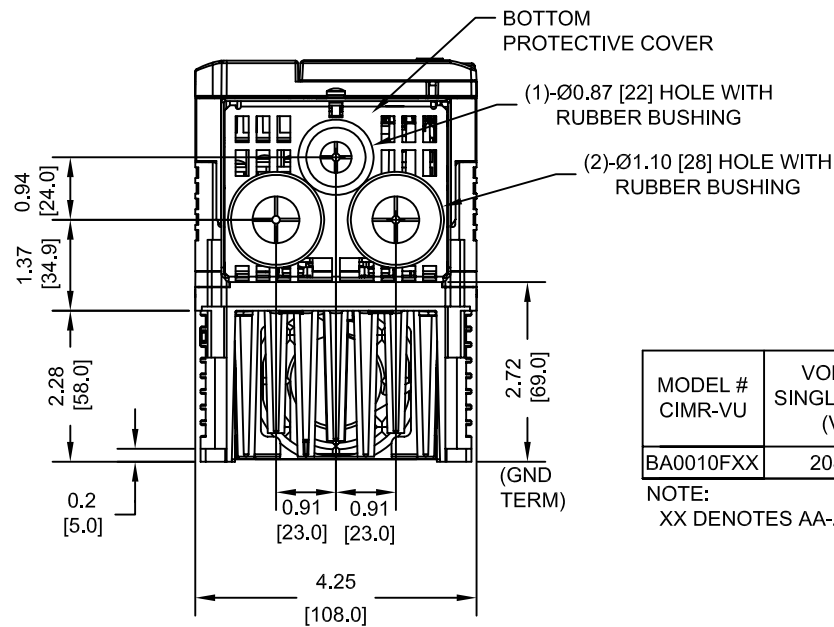
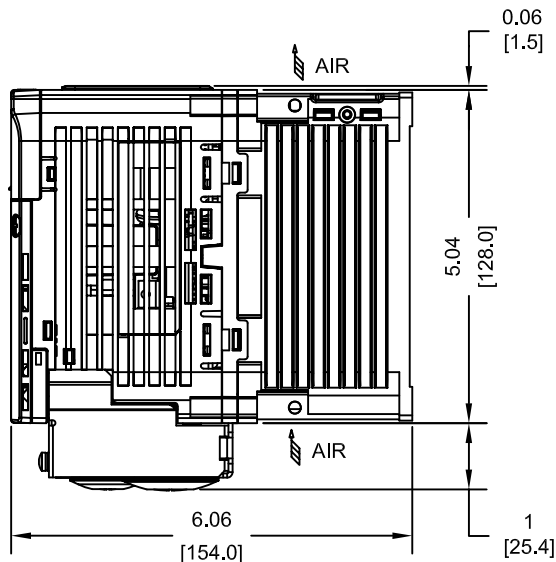
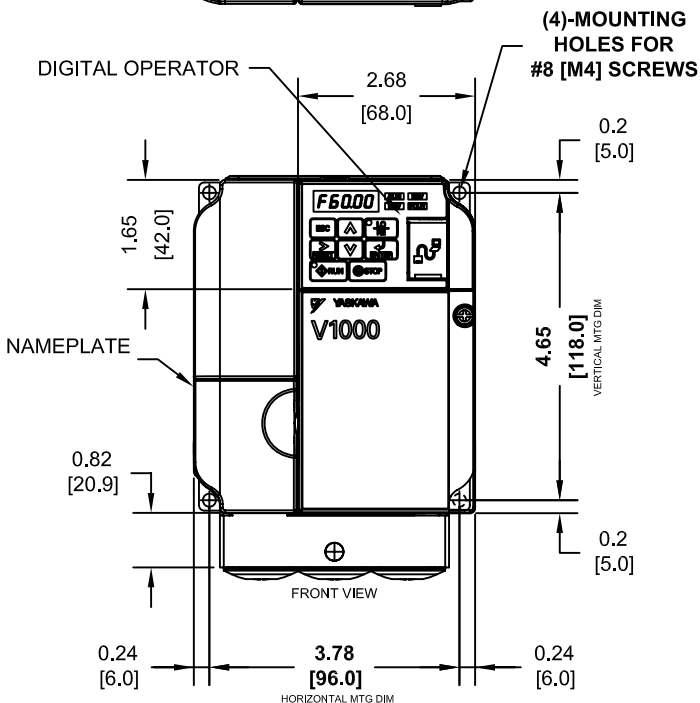


NOTES:
1. EXTERNAL HEATSINK
CONFIGURATION REQUIRES
MOUNTING KIT
2. EXPOSED HEATSINK
RECOMMENDED CLEARANCE
D=2.76" MINUS PANEL THICKNESS

TOLERANCES / REFERENCES:		<p>YASKAWA The Drive for Quality™</p>	DRAWN: J. MATTAS	DATE 12-18-07	TITLE: V1000 DIMENSION DRAWING
<p><i>THIS DOCUMENT AND INFORMATION CONTAINED IN IT ARE CONFIDENTIAL, AND CANNOT BE COPIED OR DISCLOSED IN WHOLE OR IN PART WITHOUT THE EXPRESS WRITTEN CONSENT OF YASKAWA ELECTRIC AMERICA INC.</i></p>			CHECKED: M. RUCINSKI	DATE 5-7-08	FRAME SIZE 9 NEMA TYPE 1 ENCLOSURE 4A0005F, 4A0007F & 4A0009F
UNITS: IN[mm]	SCALE: BY VIEW	TECH: J. CAIRO	DATE 3-24-08	SIZE A	REVISION R00
		APPROVED: T. SASADA	DATE 5-27-08	PAGE 3 of 3	
		ORIGINAL DESIGN: -	DATE -	DRAWING #: DD.V1K.FR9.N1	



NOTE:
 PROTECTIVE COVERS ARE FACTORY INSTALLED TO THE TOP AND BOTTOM OF THE DRIVE TO MEET IP20 & NEMA TYPE 1 REQUIREMENTS, RESULTING IN AN AMBIENT TEMPERATURE RATING OF 104F(40C). REMOVE THESE COVERS WHEN OPERATING THE DRIVE WITHIN A PANEL TO OBTAIN THE MAXIMUM SURROUNDING AIR TEMPERATURE RATING OF 122F(50C). REMOVING THESE COVERS RESULTS IN AN ENCLOSURE RATING OF IP00.



MODEL # CIMR-VU	VOLTAGE SINGLE PHASE (VAC)	OUTPUT CURRENT (A)		WEIGHT LBS (Kg)	HEAT LOSS (W)					
					ND (Fc=2kHz)			HD (Fc=8kHz)		
		ND	HD		INT	EXT	TOT	INT	EXT	TOT
BA0010FXX	208/240	9.6	8.0	4.4 (2.0)	29.8	51.7	81.5	25.9	54.8	80.7

NOTE:
 XX DENOTES AA-ZZ

INT=INTERNAL COMPONENTS
 EXT=EXTERNAL HEATSINK
 TOT=TOTAL

FOR ADDITIONAL DETAILS AND SPECIFICATIONS, CONSULT MANUAL

TOLERANCES / REFERENCES:



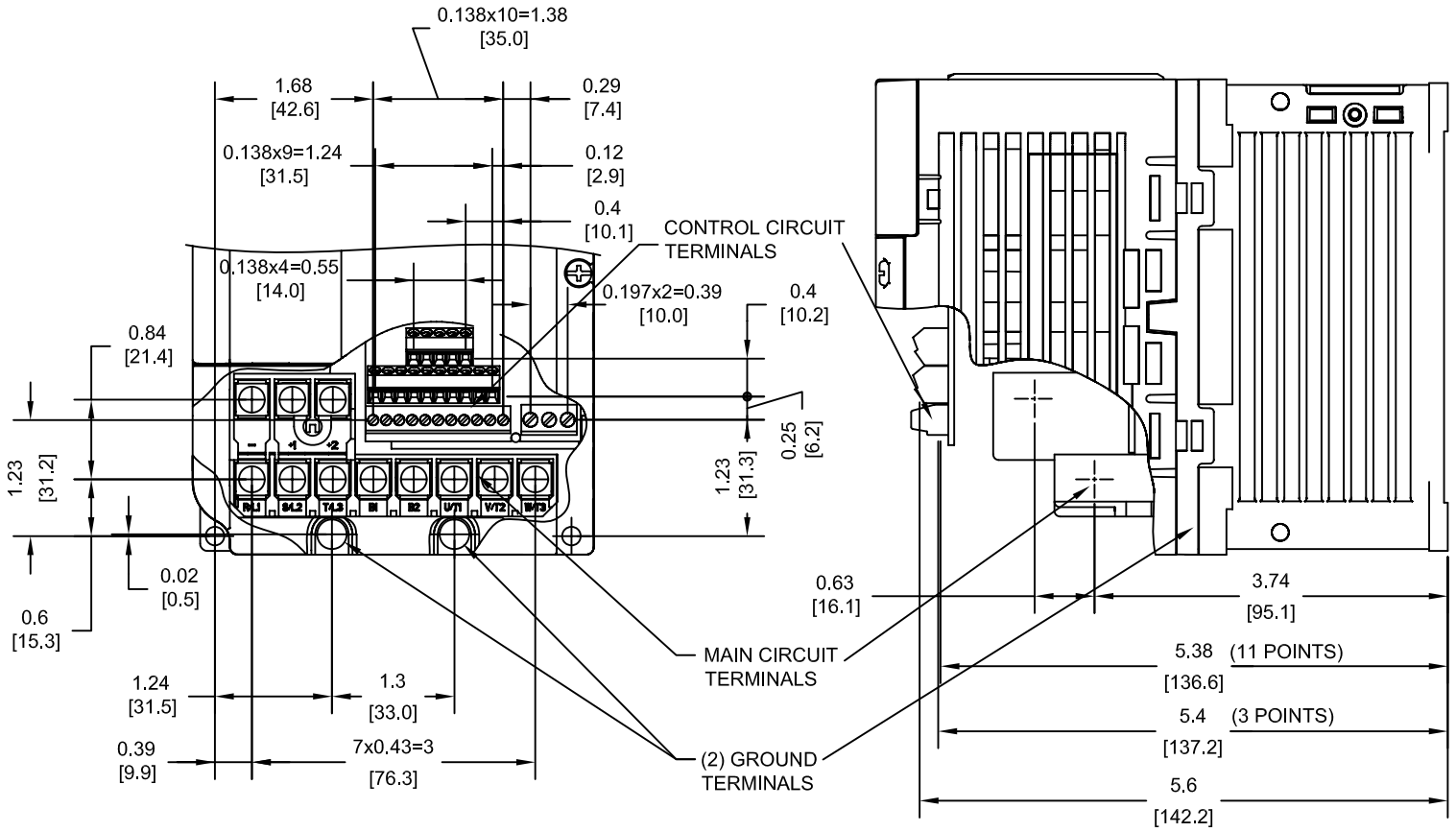
THIS DOCUMENT AND INFORMATION CONTAINED IN IT ARE CONFIDENTIAL, AND CANNOT BE COPIED OR DISCLOSED IN WHOLE OR IN PART WITHOUT THE EXPRESS WRITTEN CONSENT OF YASKAWA ELECTRIC AMERICA INC.

DRAWN: J. MATTAS	DATE 12-19-07
CHECKED: M. RUCINSKI	DATE 5-7-08
TECH: J. CAIRO	DATE 3-24-08
APPROVED: T. SASADA	DATE 5-27-08
ORIGINAL DESIGN: -	DATE -

TITLE: V1000 DIMENSION DRAWING FRAME SIZE 10 NEMA TYPE 1 ENCLOSURE BA0010F		
SIZE A	REVISION R00	PAGE 1 of 3
DRAWING #: DD.V1K.FR10.N1		

UNITS: IN[mm] SCALE: 1:3

TERMINAL AND WIRING DETAILS (SCALE 1:2)



TERMINAL AND WIRE SPECIFICATIONS FOR
MAIN CIRCUIT AND GROUND

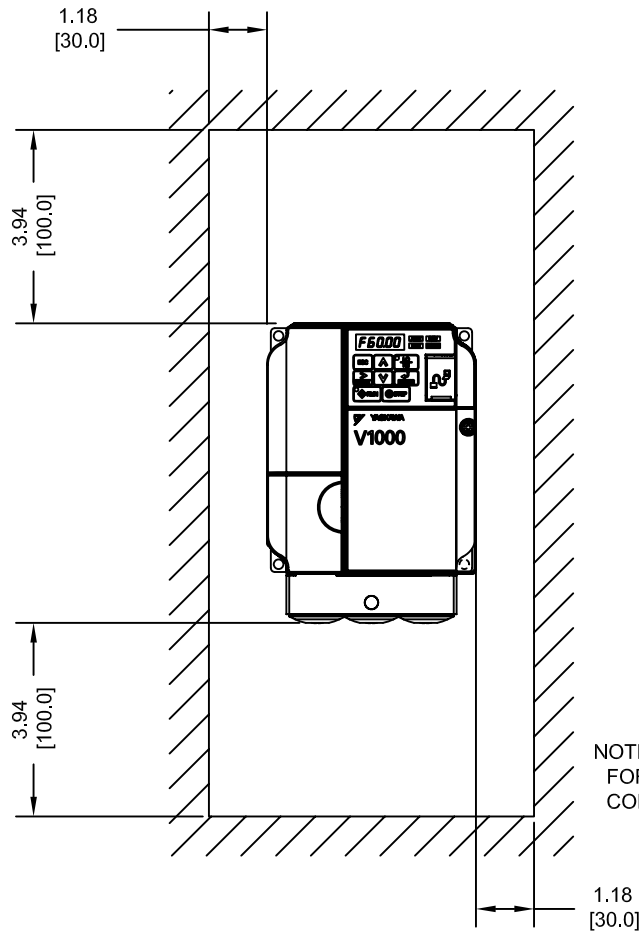
MODEL #	TERMINAL SCREW	CLAMPING TORQUE lb.in.(N.m.)	WIRE RANGE AWG(mm ²)
CIMR-VU	M4	10.6 TO 13.3 (1.2 TO 1.5)	22-10 (0.33-5.5)

NOTE: RATINGS APPLY TO BOTH FACTORY AND FIELD WIRING
REFER TO APPLICABLE CODES FOR PROPER WIRE TYPE AND SIZE

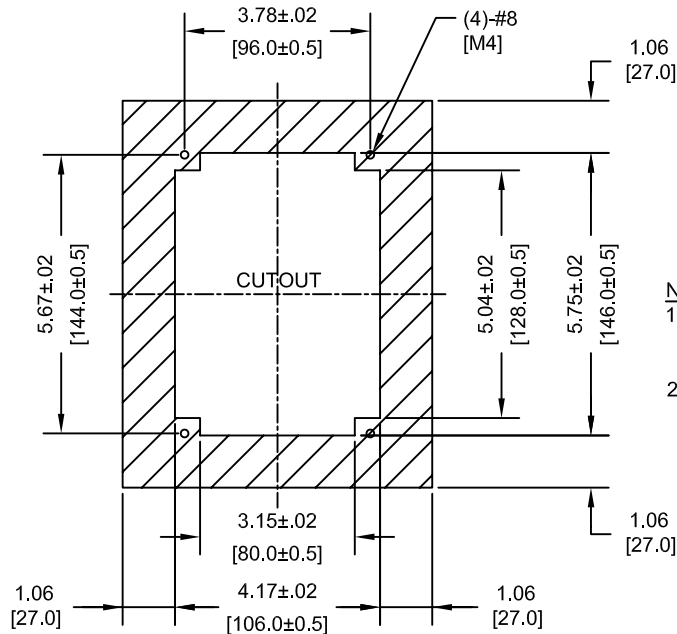
FOR ADDITIONAL DETAILS AND SPECIFICATIONS, CONSULT MANUAL

TOLERANCES / REFERENCES:		<p>THIS DOCUMENT AND INFORMATION CONTAINED IN IT ARE CONFIDENTIAL, AND CANNOT BE COPIED OR DISCLOSED IN WHOLE OR IN PART WITHOUT THE EXPRESS WRITTEN CONSENT OF YASKAWA ELECTRIC AMERICA INC.</p>	DRAWN: J. MATTAS CHECKED: M. RUCINSKI TECH: J. CAIRO APPROVED: T. SASADA ORIGINAL DESIGN: -	DATE: 12-19-07 DATE: 5-7-08 DATE: 3-24-08 DATE: 5-27-08 DATE: -	TITLE: V1000 DIMENSION DRAWING FRAME SIZE 10 NEMA TYPE 1 ENCLOSURE BA0010F
UNITS: IN[mm]	SCALE: BY VIEW		SIZE: A REVISION: R00 PAGE: 2 of 3	DRAWING #: DD.V1K.FR10.N1	

MINIMUM INSTALLATION CLEARANCES (SCALE 1:4)



PANEL CUTOUT FOR EXTERNAL HEATSINK MOUNTING CONFIGURATION (SCALE 1:4)

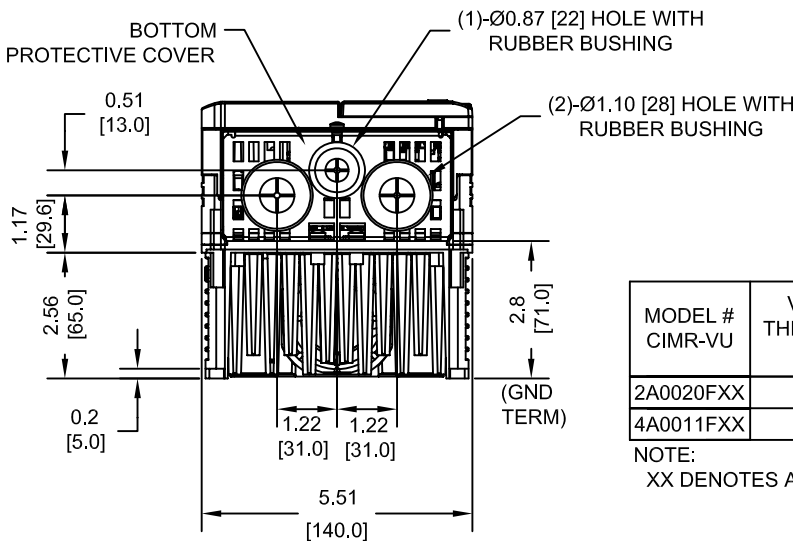
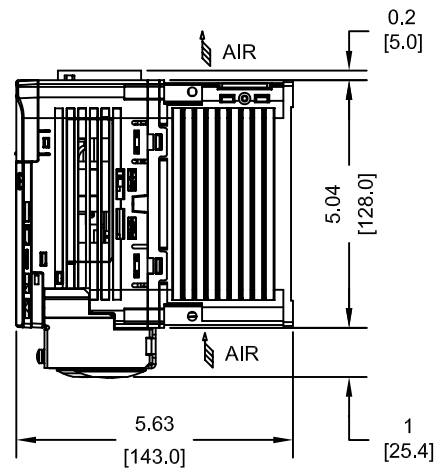
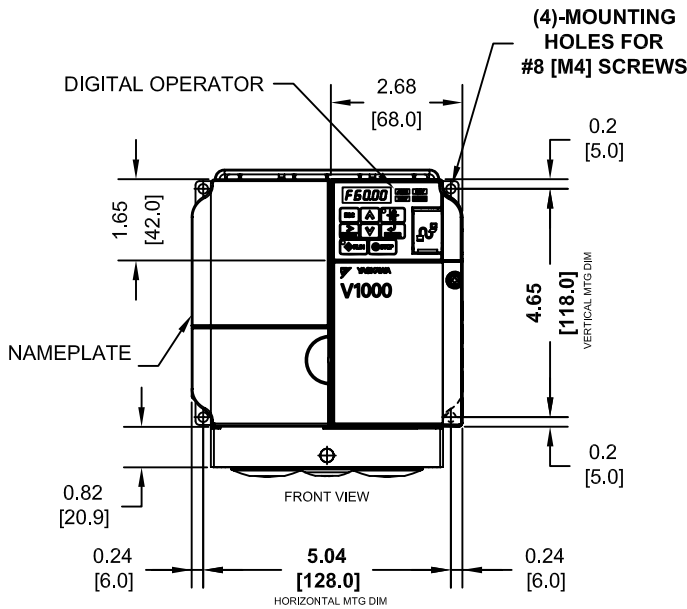
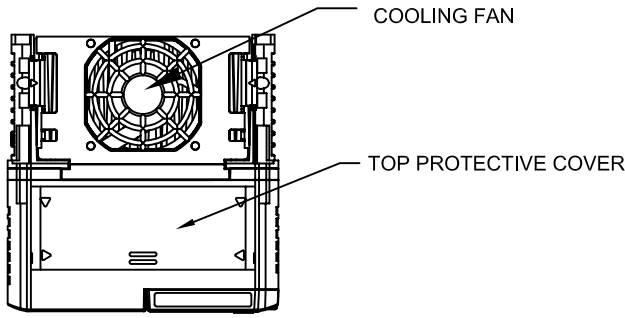


- NOTES:
- EXTERNAL HEATSINK CONFIGURATION REQUIRES MOUNTING KIT
 - EXPOSED HEATSINK RECOMMENDED CLEARANCE $D=2.76''$ MINUS PANEL THICKNESS

TOLERANCES / REFERENCES:			DRAWN: J. MATTAS CHECKED: M. RUCINSKI TECH: J. CAIRO APPROVED: T. SASADA ORIGINAL DESIGN: -	DATE 12-19-07 DATE 5-7-08 DATE 3-24-08 DATE 5-27-08 DATE -	TITLE: V1000 DIMENSION DRAWING FRAME SIZE 10 NEMA TYPE 1 ENCLOSURE BA0010F
UNITS: IN[mm]	SCALE: BY VIEW		THIS DOCUMENT AND INFORMATION CONTAINED IN IT ARE CONFIDENTIAL, AND CANNOT BE COPIED OR DISCLOSED IN WHOLE OR IN PART WITHOUT THE EXPRESS WRITTEN CONSENT OF YASKAWA ELECTRIC AMERICA INC.	SIZE A REVISION R00 DRAWING #: DD.V1K.FR10.N1	PAGE 3 of 3

NOTE:

PROTECTIVE COVERS ARE FACTORY INSTALLED TO THE TOP AND BOTTOM OF THE DRIVE TO MEET IP20 & NEMA TYPE 1 REQUIREMENTS, RESULTING IN AN AMBIENT TEMPERATURE RATING OF 104F(40C). REMOVE THESE COVERS WHEN OPERATING THE DRIVE WITHIN A PANEL TO OBTAIN THE MAXIMUM SURROUNDING AIR TEMPERATURE RATING OF 122F(50C). REMOVING THESE COVERS RESULTS IN AN ENCLOSURE RATING OF IP00.



MODEL # CIMR-VU	VOLTAGE THREE PHASE (VAC)	OUTPUT CURRENT (A)		WEIGHT LBS (Kg)	HEAT LOSS (W)					
		ND	HD		ND (Fc=2kHz)			HD (Fc=8kHz)		
					INT	EXT	TOT	INT	EXT	TOT
2A0020FXX	208/240	19.6	17.5	5.7 (2.6)	46.3	98.7	145.0	43.3	110.5	153.8
4A0011FXX	380/480	11.1	9.2	5.7 (2.6)	46.0	81.7	127.7	41.5	107.2	148.7

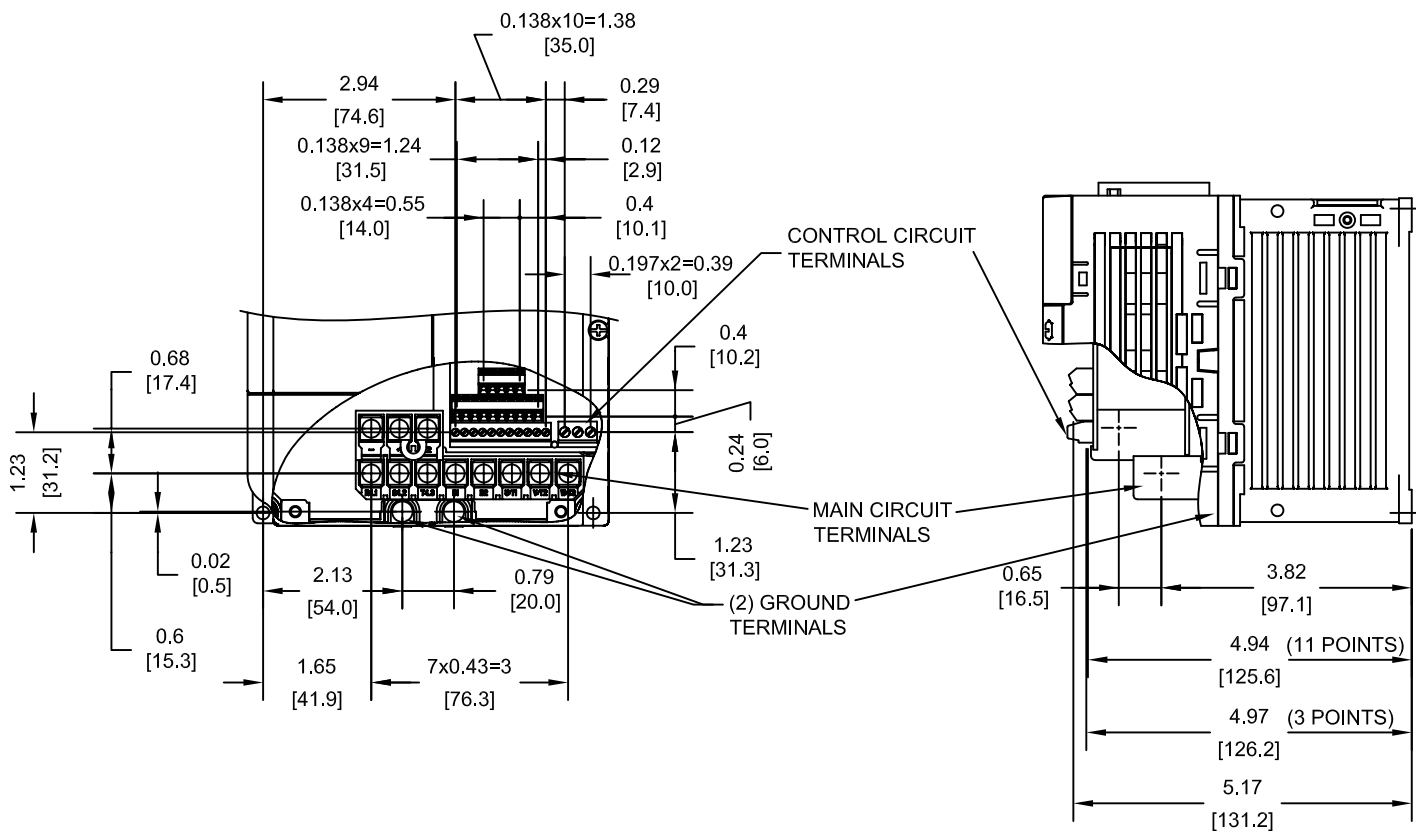
NOTE:
XX DENOTES AA-ZZ

INT=INTERNAL COMPONENTS
EXT=EXTERNAL HEATSINK
TOT=TOTAL

FOR ADDITIONAL DETAILS AND SPECIFICATIONS, CONSULT MANUAL

TOLERANCES / REFERENCES:		<p>YASKAWA The Drive for Quality™</p> <p>THIS DOCUMENT AND INFORMATION CONTAINED IN IT ARE CONFIDENTIAL, AND CANNOT BE COPIED OR DISCLOSED IN WHOLE OR IN PART WITHOUT THE EXPRESS WRITTEN CONSENT OF YASKAWA ELECTRIC AMERICA INC.</p>	DRAWN: J. MATTAS DATE 1-7-08	DATE 1-7-08	TITLE: V1000 DIMENSION DRAWING FRAME SIZE 11 NEMA TYPE 1 ENCLOSURE 2A0020F & 4A0011F	
UNITS: IN[mm]	SCALE: 1:4		CHECKED: M. RUCINSKI DATE 5-7-08	DATE 5-7-08		
		TECH: J. CAIRO DATE 3-24-08	DATE 3-24-08	SIZE A	REVISION R00	PAGE 1 of 3
		APPROVED: T. SASADA DATE 5-27-08	DATE 5-27-08	DRAWING #: DD.V1K.FR11.N1		

TERMINAL AND WIRING DETAILS (SCALE 1:3)



TERMINAL AND WIRE SPECIFICATIONS FOR
MAIN CIRCUIT AND GROUND

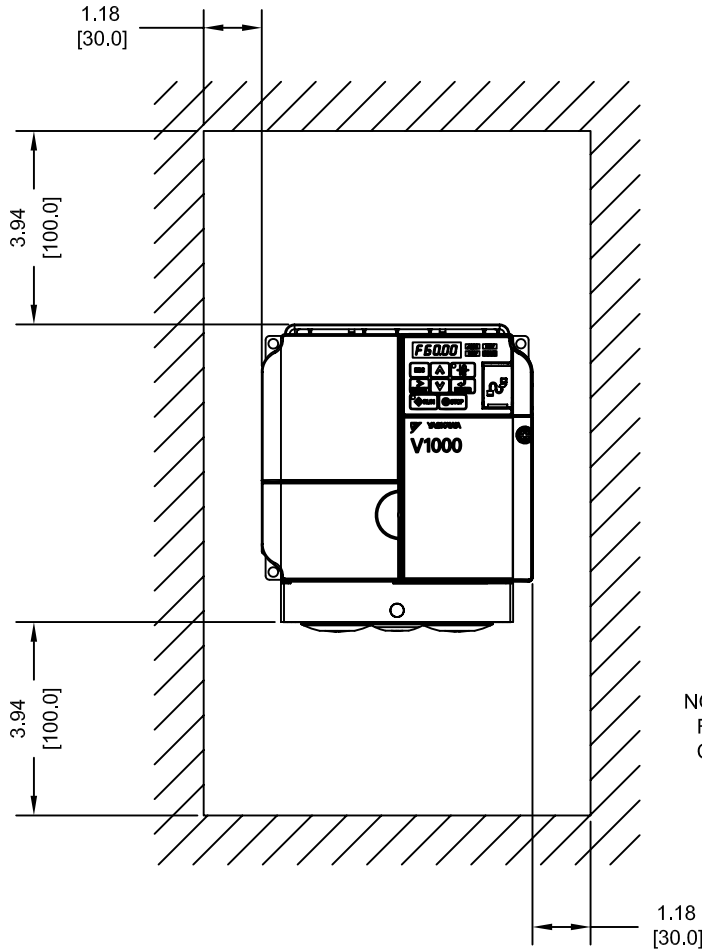
MODEL #	TERMINAL SCREW	CLAMPING TORQUE lb.in.(N.m.)	WIRE RANGE AWG(mm ²)
2A0020F	M4	10.6 TO 13.3 (1.2 TO 1.5)	22-10 (0.33-5.5)
4A0011F	M4	10.6 TO 13.3 (1.2 TO 1.5)	22-10 (0.33-5.5)

NOTE: RATINGS APPLY TO BOTH FACTORY AND FIELD WIRING
REFER TO APPLICABLE CODES FOR PROPER WIRE TYPE AND SIZE

FOR ADDITIONAL DETAILS AND SPECIFICATIONS, CONSULT MANUAL

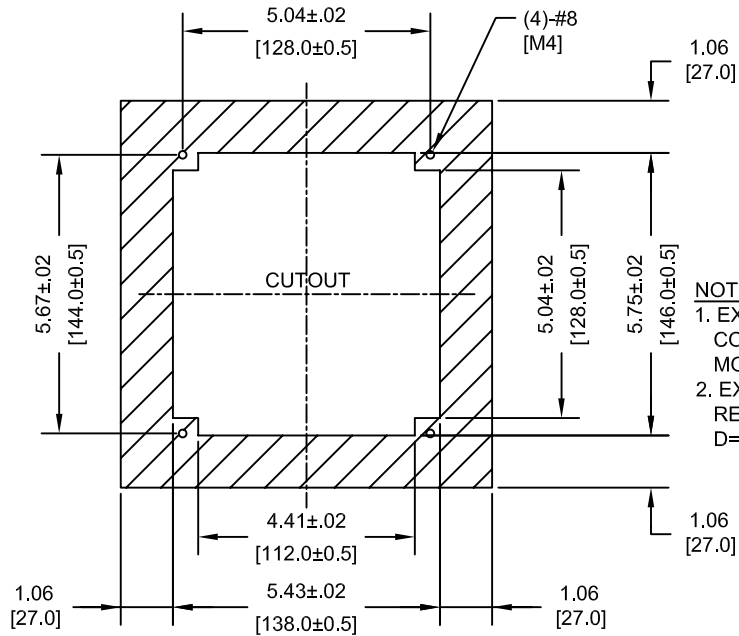
TOLERANCES / REFERENCES:			DRAWN: J. MATTAS DATE: 1-7-08	DATE: 1-7-08	TITLE: V1000 DIMENSION DRAWING FRAME SIZE 11 NEMA TYPE 1 ENCLOSURE 2A0020F & 4A0011F	
UNITS: IN[mm]			CHECKED: M. RUCINSKI DATE: 5-7-08	DATE: 5-7-08		SIZE: A
SCALE: BY VIEW		THIS DOCUMENT AND INFORMATION CONTAINED IN IT ARE CONFIDENTIAL, AND CANNOT BE COPIED OR DISCLOSED IN WHOLE OR IN PART WITHOUT THE EXPRESS WRITTEN CONSENT OF YASKAWA ELECTRIC AMERICA INC.	TECH: J. CAIRO DATE: 3-24-08	DATE: 3-24-08	DRAWING #: DD.V1K.FR11.N1	
			APPROVED: T. SASADA DATE: 5-27-08	DATE: 5-27-08		
		ORIGINAL DESIGN: -	DATE: -			

MINIMUM INSTALLATION CLEARANCES (SCALE 1:4)



NOTE:
FOR SIDE-BY-SIDE MOUNTING
CONSULT MANUAL

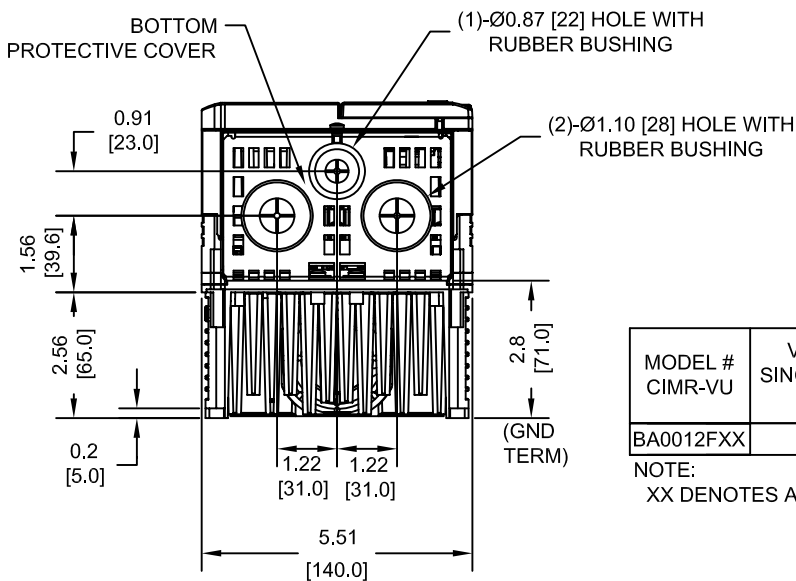
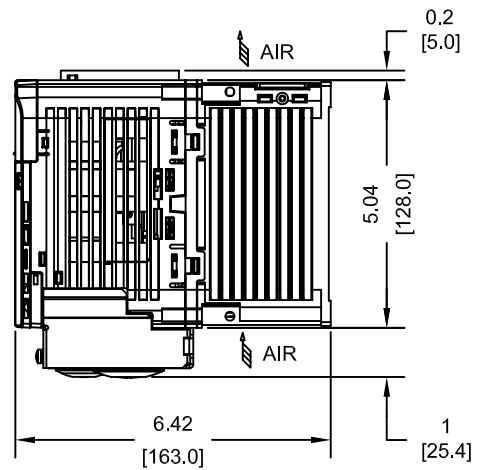
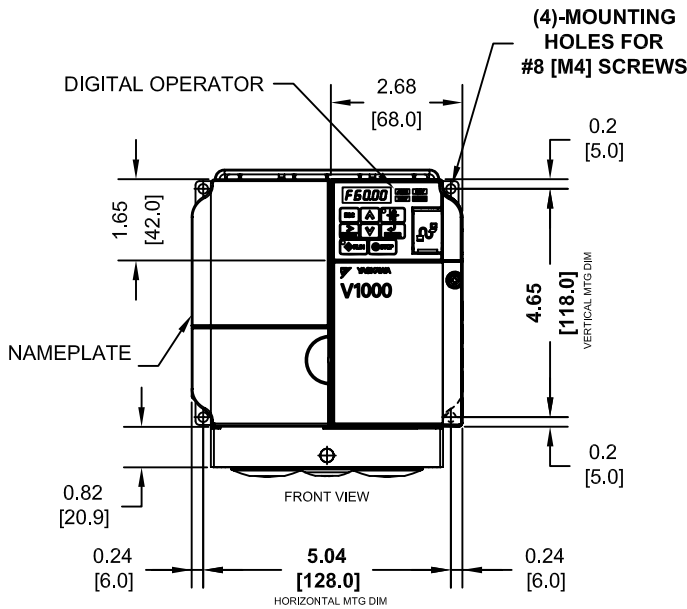
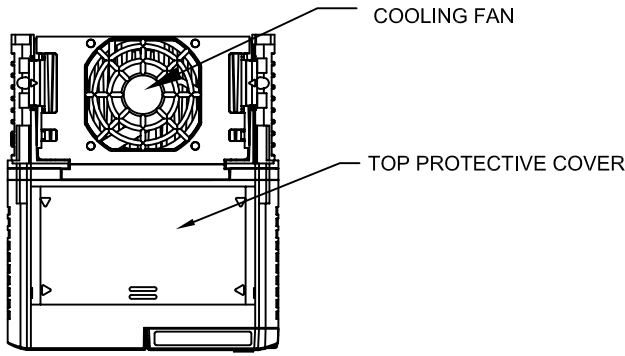
PANEL CUTOUT FOR EXTERNAL HEATSINK
MOUNTING CONFIGURATION (SCALE 1:4)



NOTES:
1. EXTERNAL HEATSINK
CONFIGURATION REQUIRES
MOUNTING KIT
2. EXPOSED HEATSINK
RECOMMENDED CLEARANCE
D=2.76" MINUS PANEL THICKNESS

TOLERANCES / REFERENCES:		<p>THIS DOCUMENT AND INFORMATION CONTAINED IN IT ARE CONFIDENTIAL, AND CANNOT BE COPIED OR DISCLOSED IN WHOLE OR IN PART WITHOUT THE EXPRESS WRITTEN CONSENT OF YASKAWA ELECTRIC AMERICA INC.</p>	DRAWN: J. MATTAS DATE: 1-7-08	DATE: 1-7-08	TITLE: V1000 DIMENSION DRAWING FRAME SIZE 11 NEMA TYPE 1 ENCLOSURE 2A0020F & 4A0011F
			CHECKED: M. RUCINSKI DATE: 5-7-08	DATE: 5-7-08	
			TECH: J. CAIRO DATE: 3-24-08	DATE: 3-24-08	
			APPROVED: T. SASADA DATE: 5-27-08	DATE: 5-27-08	
UNITS: IN[mm]	SCALE: BY VIEW	ORIGINAL DESIGN: -	DATE: -	SIZE: A REVISION: R00 PAGE: 3 of 3	DRAWING #: DD.V1K.FR11.N1

NOTE:
 PROTECTIVE COVERS ARE FACTORY INSTALLED TO THE TOP AND BOTTOM OF THE DRIVE TO MEET IP20 & NEMA TYPE 1 REQUIREMENTS, RESULTING IN AN AMBIENT TEMPERATURE RATING OF 104F(40C). REMOVE THESE COVERS WHEN OPERATING THE DRIVE WITHIN A PANEL TO OBTAIN THE MAXIMUM SURROUNDING AIR TEMPERATURE RATING OF 122F(50C). REMOVING THESE COVERS RESULTS IN AN ENCLOSURE RATING OF IP00.



MODEL # CIMR-VU	VOLTAGE SINGLE PHASE (VAC)	OUTPUT CURRENT (A)		WEIGHT LBS (Kg)	HEAT LOSS (W)					
		ND	HD		ND (Fc=2kHz)			HD (Fc=8kHz)		
					INT	EXT	TOT	INT	EXT	TOT
BA0012FXX	208/240	12.0	11.0	5.7 (2.6)	37.1	61.3	98.4	34.1	70.7	104.8

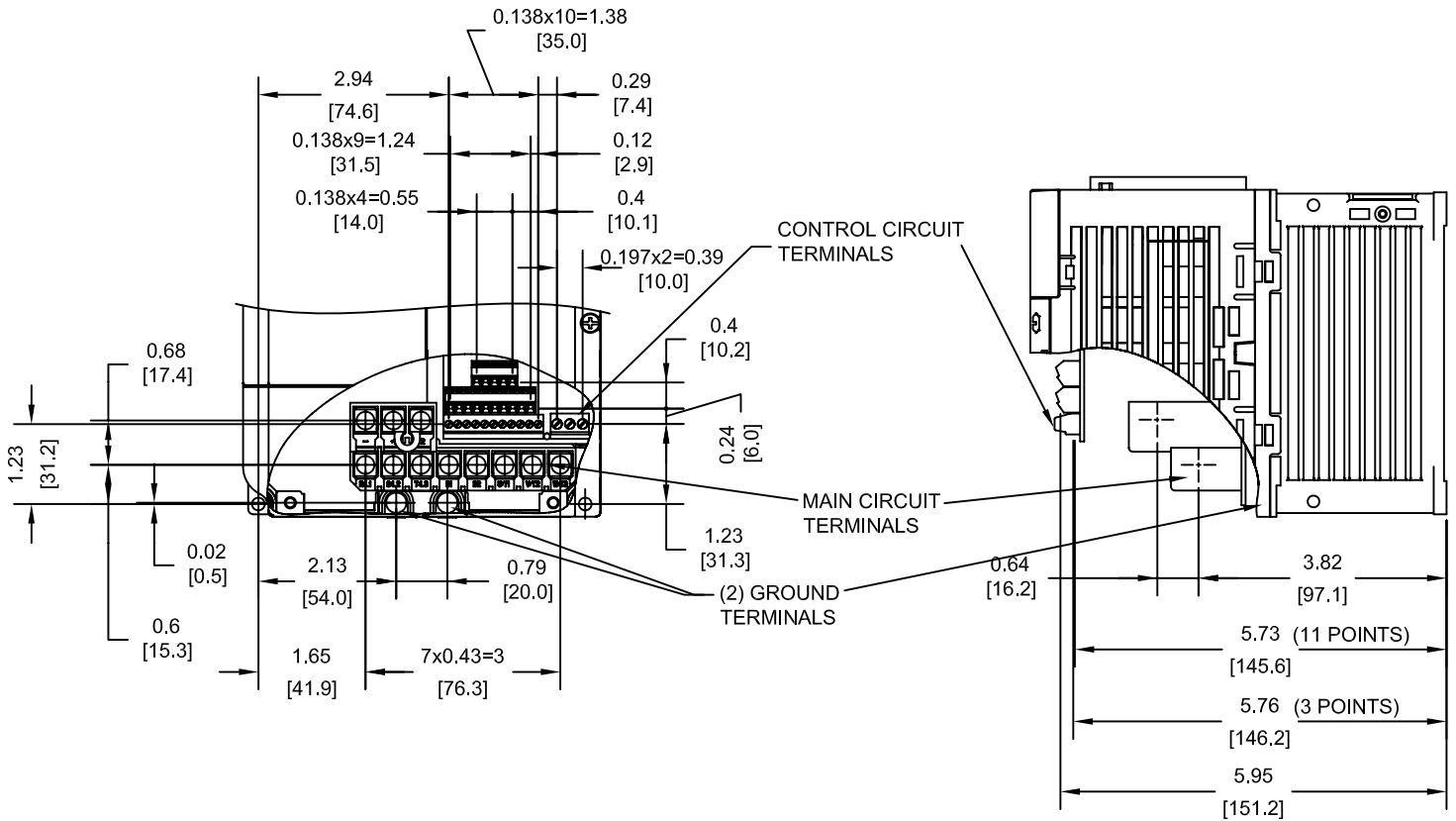
NOTE:
 XX DENOTES AA-ZZ

INT=INTERNAL COMPONENTS
 EXT=EXTERNAL HEATSINK
 TOT=TOTAL

FOR ADDITIONAL DETAILS AND SPECIFICATIONS, CONSULT MANUAL

TOLERANCES / REFERENCES:		 YASKAWA <i>The Drive for Quality™</i>	DRAWN: J. MATTAS	DATE: 1-8-08	TITLE: V1000 DIMENSION DRAWING FRAME SIZE 12 NEMA TYPE 1 ENCLOSURE BA0012F		
UNITS: IN[mm]			CHECKED: M. RUCINSKI	DATE: 5-7-08		SIZE: A	
SCALE: 1:4		THIS DOCUMENT AND INFORMATION CONTAINED IN IT ARE CONFIDENTIAL, AND CANNOT BE COPIED OR DISCLOSED IN WHOLE OR IN PART WITHOUT THE EXPRESS WRITTEN CONSENT OF YASKAWA ELECTRIC AMERICA INC.		TECH: J. CAIRO		DATE: 3-25-08	REVISION: R00
		APPROVED: T. SASADA	DATE: 5-27-08	ORIGINAL DESIGN: -	DATE: -	DRAWING #: DD.V1K.FR12.N1	

TERMINAL AND WIRING DETAILS (SCALE 1:3)



TERMINAL AND WIRE SPECIFICATIONS FOR
MAIN CIRCUIT AND GROUND

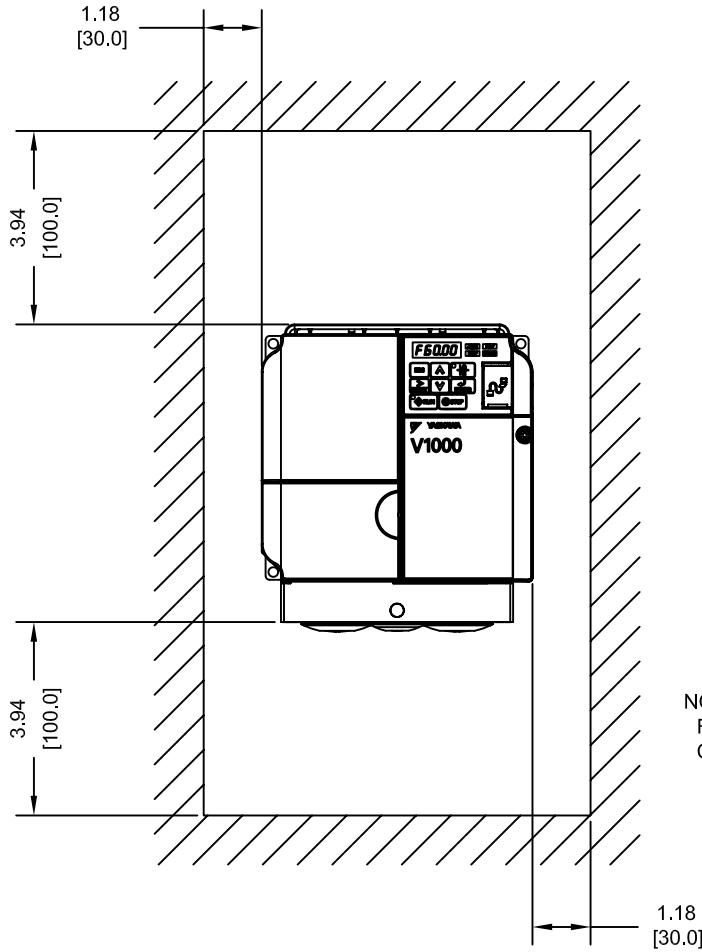
MODEL #	TERMINAL SCREW	CLAMPING TORQUE lb.in.(N.m.)	WIRE RANGE AWG(mm ²)
CIMR-VU	M4	10.6 TO 13.3 (1.2 TO 1.5)	22-10 (0.33-5.5)

NOTE: RATINGS APPLY TO BOTH FACTORY AND FIELD WIRING
REFER TO APPLICABLE CODES FOR PROPER WIRE TYPE AND SIZE

FOR ADDITIONAL DETAILS AND SPECIFICATIONS, CONSULT MANUAL

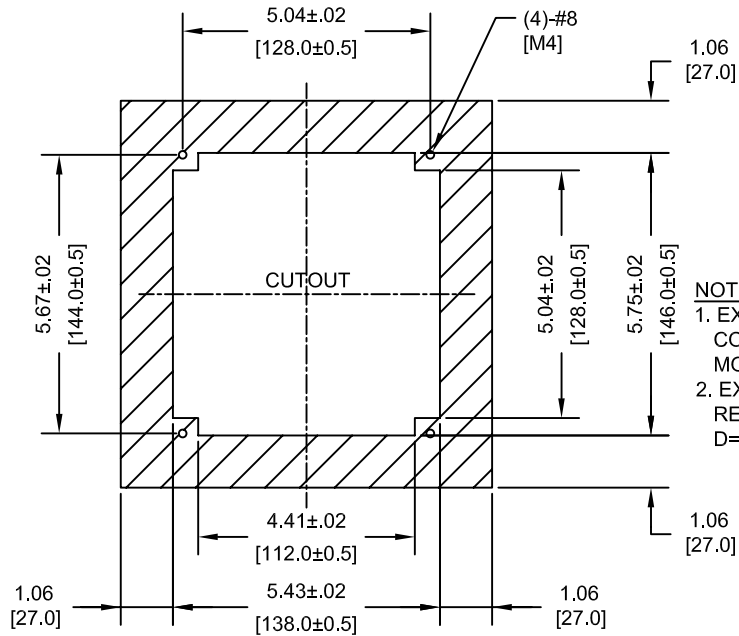
TOLERANCES / REFERENCES:		<p>YASKAWA The Drive for Quality™</p> <p><i>THIS DOCUMENT AND INFORMATION CONTAINED IN IT ARE CONFIDENTIAL, AND CANNOT BE COPIED OR DISCLOSED IN WHOLE OR IN PART WITHOUT THE EXPRESS WRITTEN CONSENT OF YASKAWA ELECTRIC AMERICA INC.</i></p>	DRAWN: J. MATTAS DATE 1-8-08	TITLE: V1000 DIMENSION DRAWING FRAME SIZE 12 NEMA TYPE 1 ENCLOSURE BA0012F
UNITS: IN[mm]			CHECKED: M. RUCINSKI DATE 5-7-08	TECH: J. CAIRO DATE 3-25-08
SCALE: BY VIEW			APPROVED: T. SASADA DATE 5-27-08	ORIGINAL DESIGN: - DATE -
			SIZE A	REVISION R00
		DRAWING #: DD.V1K.FR12.N1		

MINIMUM INSTALLATION CLEARANCES (SCALE 1:4)



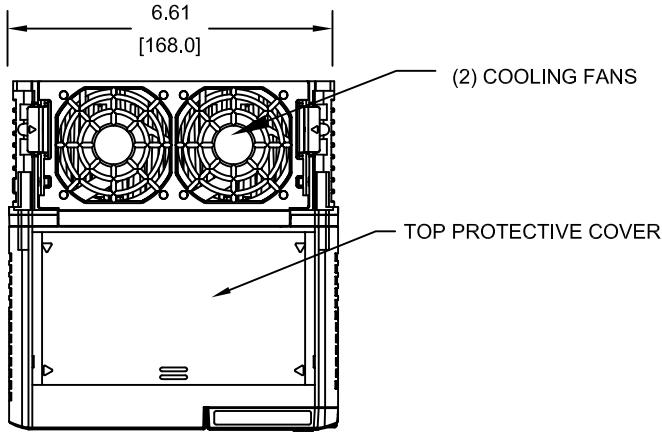
NOTE:
FOR SIDE-BY-SIDE MOUNTING
CONSULT MANUAL

PANEL CUTOUT FOR EXTERNAL HEATSINK
MOUNTING CONFIGURATION (SCALE 1:4)

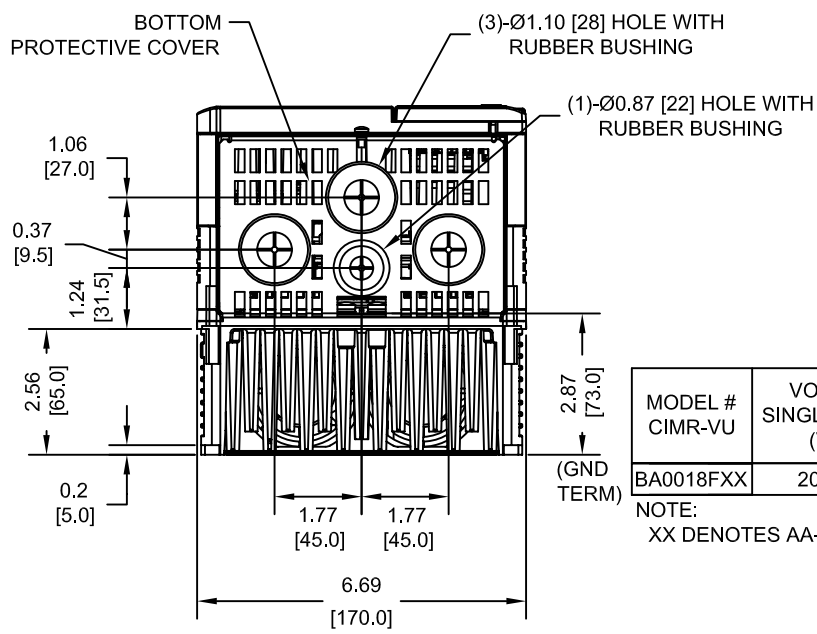
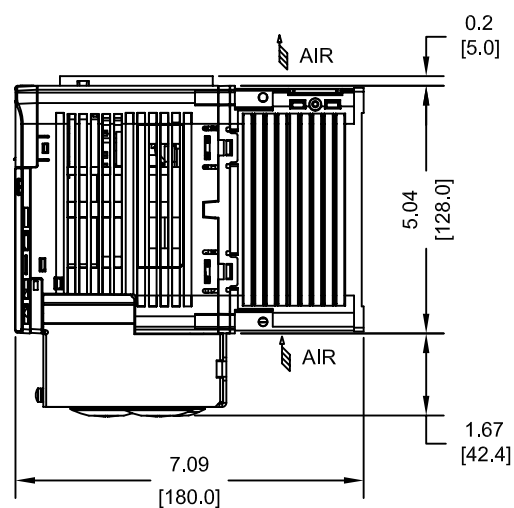
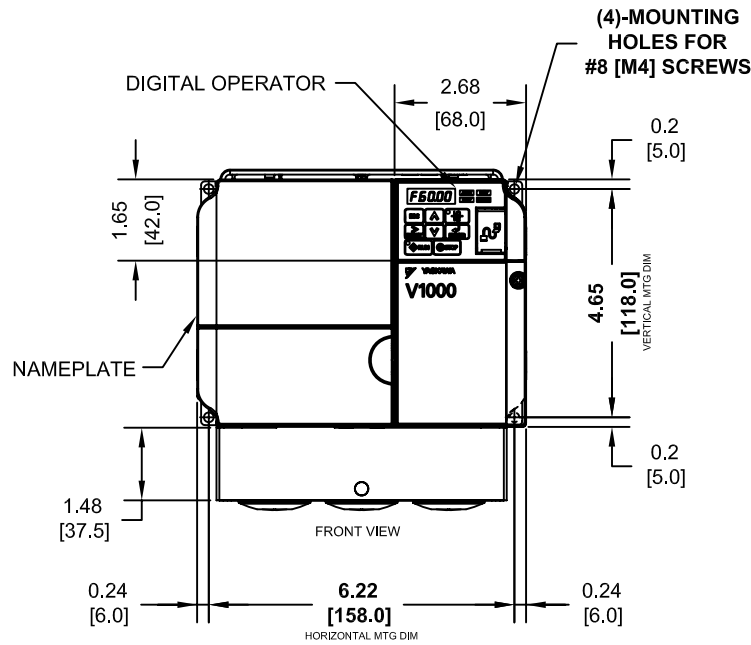


NOTES:
1. EXTERNAL HEATSINK
CONFIGURATION REQUIRES
MOUNTING KIT
2. EXPOSED HEATSINK
RECOMMENDED CLEARANCE
D=2.76" MINUS PANEL THICKNESS

TOLERANCES / REFERENCES:		<p>THIS DOCUMENT AND INFORMATION CONTAINED IN IT ARE CONFIDENTIAL, AND CANNOT BE COPIED OR DISCLOSED IN WHOLE OR IN PART WITHOUT THE EXPRESS WRITTEN CONSENT OF YASKAWA ELECTRIC AMERICA INC.</p>	DRAWN: J. MATTAS DATE: 1-8-08	DATE: 1-8-08	TITLE: V1000 DIMENSION DRAWING FRAME SIZE 12 NEMA TYPE 1 ENCLOSURE BA0012F
			CHECKED: M. RUCINSKI DATE: 5-7-08	DATE: 5-7-08	
			TECH: J. CAIRO DATE: 3-25-08	DATE: 3-25-08	
			APPROVED: T. SASADA DATE: 5-27-08	DATE: 5-27-08	
UNITS: IN[mm]	SCALE: BY VIEW	ORIGINAL DESIGN: -	DATE: -	SIZE: A REVISION: R00 PAGE: 3 of 3	DRAWING #: DD.V1K.FR12.N1



NOTE:
PROTECTIVE COVERS ARE FACTORY INSTALLED TO THE TOP AND BOTTOM OF THE DRIVE TO MEET IP20 & NEMA TYPE 1 REQUIREMENTS, RESULTING IN AN AMBIENT TEMPERATURE RATING OF 104F(40C). REMOVE THESE COVERS WHEN OPERATING THE DRIVE WITHIN A PANEL TO OBTAIN THE MAXIMUM SURROUNDING AIR TEMPERATURE RATING OF 122F(50C). REMOVING THESE COVERS RESULTS IN AN ENCLOSURE RATING OF IP00.



MODEL # CIMR-VU	VOLTAGE SINGLE PHASE (VAC)	OUTPUT CURRENT (A)		WEIGHT LBS (Kg)	HEAT LOSS (W)					
		ND	HD		ND (Fc=2kHz)			HD (Fc=8kHz)		
					INT	EXT	TOT	INT	EXT	TOT
BA0018FXX	208/240	-	17.5	7.3 (3.3)	-	-	-	51.4	110.5	161.9

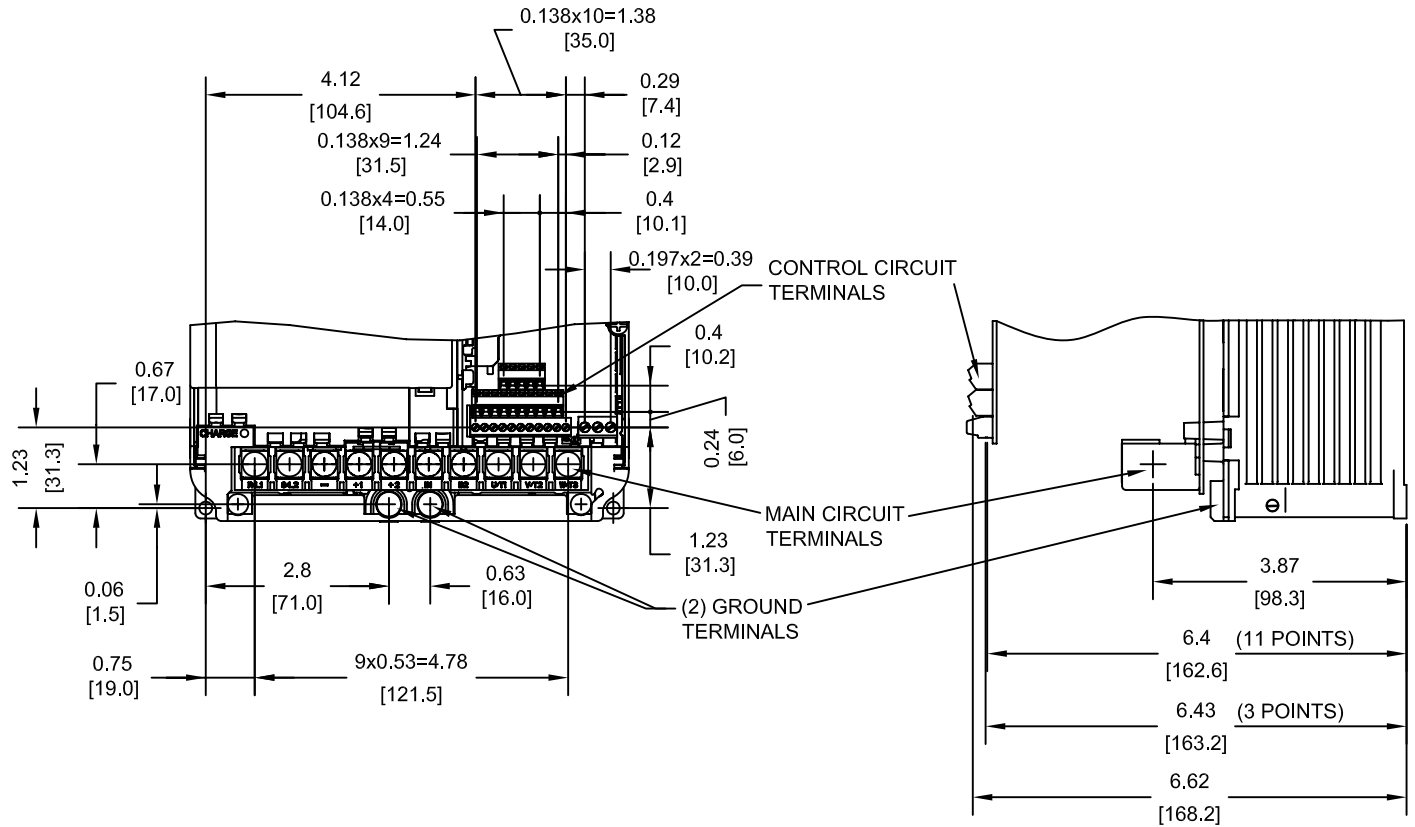
NOTE:
XX DENOTES AA-ZZ

INT=INTERNAL COMPONENTS
EXT=EXTERNAL HEATSINK
TOT=TOTAL

FOR ADDITIONAL DETAILS AND SPECIFICATIONS, CONSULT MANUAL

TOLERANCES / REFERENCES:		<p>YASKAWA The Drive for Quality™</p> <p><i>THIS DOCUMENT AND INFORMATION CONTAINED IN IT ARE CONFIDENTIAL, AND CANNOT BE COPIED OR DISCLOSED IN WHOLE OR IN PART WITHOUT THE EXPRESS WRITTEN CONSENT OF YASKAWA ELECTRIC AMERICA INC.</i></p>	DRAWN: J. MATTAS DATE: 3-17-08	TITLE: V1000 DIMENSION DRAWING FRAME SIZE 13 NEMA TYPE 1 ENCLOSURE BA0018F		
UNITS: IN[mm]	SCALE: 1:4		CHECKED: M. RUCINSKI DATE: 5-7-08	SIZE A	REVISION R00	PAGE 1 of 3
			APPROVED: T. SASADA DATE: 5-27-08	ORIGINAL DESIGN: - DATE: -	DRAWING #: DD.V1K.FR13.N1	

TERMINAL AND WIRING DETAILS (SCALE 1:3)



TERMINAL AND WIRE SPECIFICATIONS FOR
MAIN CIRCUIT AND GROUND

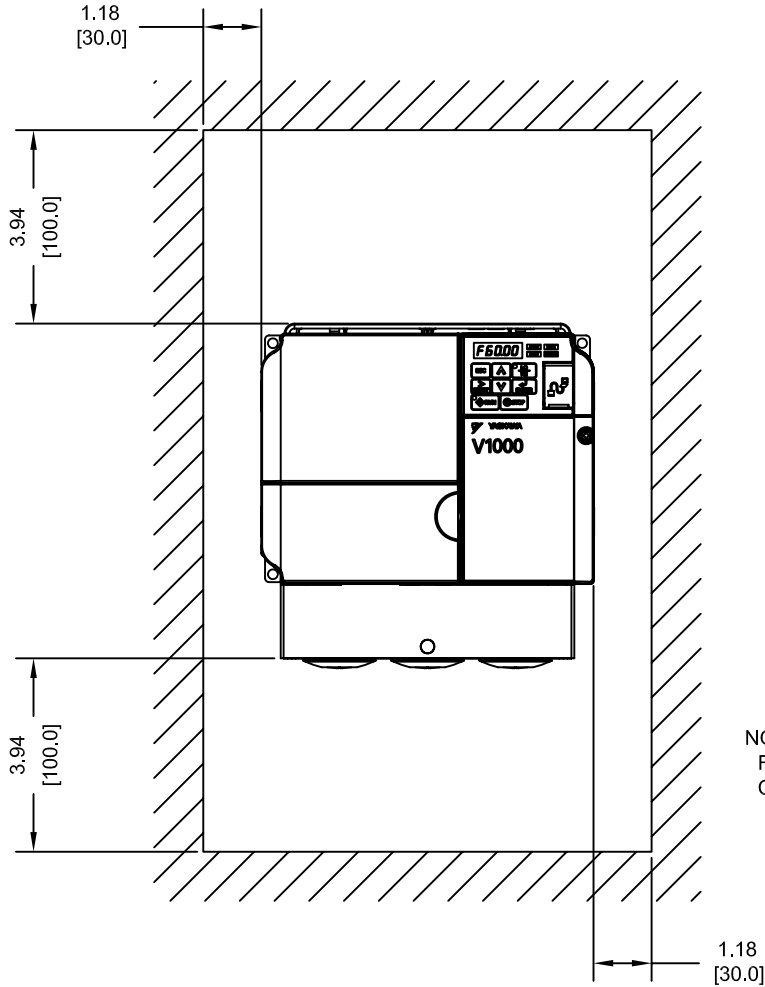
MODEL #	TERMINAL SCREW	CLAMPING TORQUE lb.in.(N.m.)	WIRE RANGE AWG(mm ²)
BA0018F	M5	22.1 (2.5)	12-8 (3.5-8)

NOTE: RATINGS APPLY TO BOTH FACTORY AND FIELD WIRING
REFER TO APPLICABLE CODES FOR PROPER WIRE TYPE AND SIZE

FOR ADDITIONAL DETAILS AND SPECIFICATIONS, CONSULT MANUAL

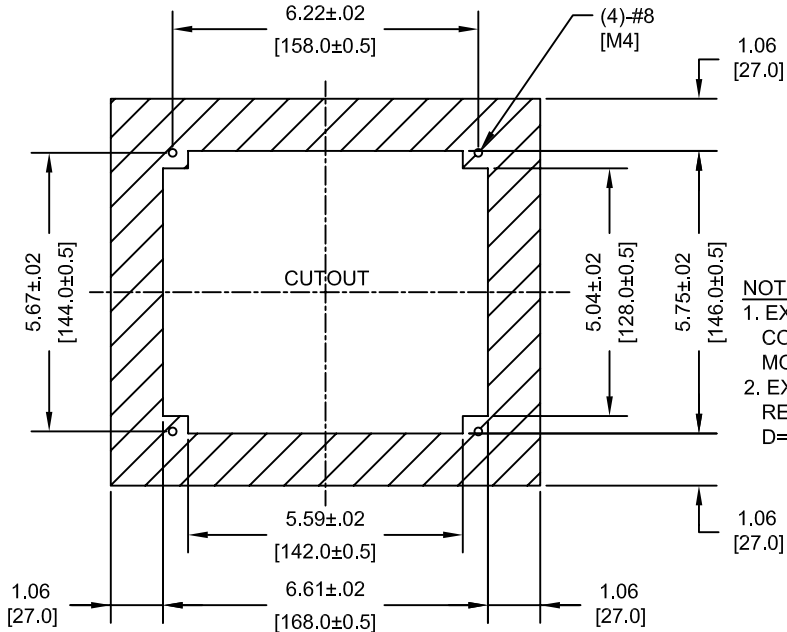
TOLERANCES / REFERENCES:		<p>THIS DOCUMENT AND INFORMATION CONTAINED IN IT ARE CONFIDENTIAL, AND CANNOT BE COPIED OR DISCLOSED IN WHOLE OR IN PART WITHOUT THE EXPRESS WRITTEN CONSENT OF YASKAWA ELECTRIC AMERICA INC.</p>	DRAWN: J. MATTAS CHECKED: M. RUCINSKI TECH: J. CAIRO APPROVED: T. SASADA ORIGINAL DESIGN: -	DATE 3-17-08 DATE 5-7-08 DATE 3-25-08 DATE 5-27-08 DATE -	TITLE: V1000 DIMENSION DRAWING FRAME SIZE 13 NEMA TYPE 1 ENCLOSURE BA0018F
UNITS: IN[mm]	SCALE: BY VIEW		SIZE A	REVISION R00	PAGE 2 of 3
			DRAWING #: DD.V1K.FR13.N1		

MINIMUM INSTALLATION CLEARANCES (SCALE 1:4)



NOTE:
FOR SIDE-BY-SIDE MOUNTING
CONSULT MANUAL

PANEL CUTOUT FOR EXTERNAL HEATSINK
MOUNTING CONFIGURATION (SCALE 1:4)



NOTES:
1. EXTERNAL HEATSINK
CONFIGURATION REQUIRES
MOUNTING KIT
2. EXPOSED HEATSINK
RECOMMENDED CLEARANCE
D=2.76" MINUS PANEL THICKNESS

TOLERANCES / REFERENCES:



THIS DOCUMENT AND INFORMATION CONTAINED
IN IT ARE CONFIDENTIAL, AND CANNOT BE
COPIED OR DISCLOSED IN WHOLE OR IN PART
WITHOUT THE EXPRESS WRITTEN CONSENT
OF YASKAWA ELECTRIC AMERICA INC.

DRAWN:
J. MATTAS

CHECKED:
M. RUCINSKI

TECH:
J. CAIRO

APPROVED:
T. SASADA

ORIGINAL DESIGN:

DATE

3-17-08

DATE

5-7-08

DATE

3-25-08

DATE

5-27-08

DATE

-

TITLE:
V1000 DIMENSION DRAWING
FRAME SIZE 13
NEMA TYPE 1 ENCLOSURE
BA0018F

SIZE A	REVISION R00	PAGE 3 of 3
-----------	-----------------	----------------

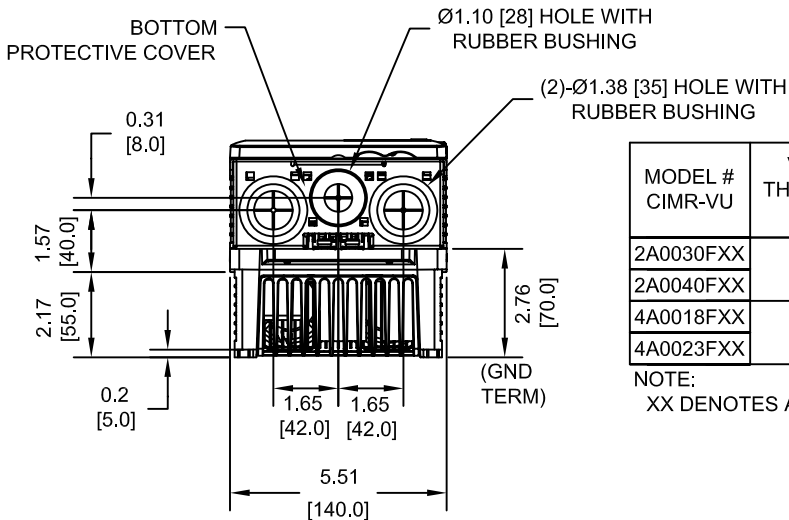
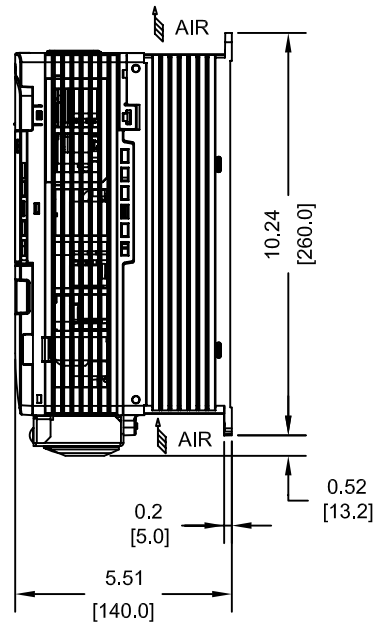
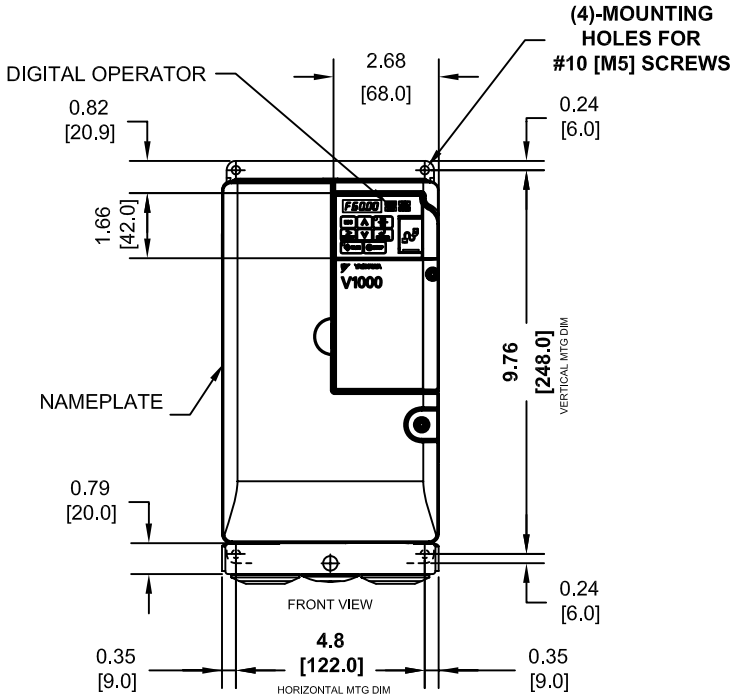
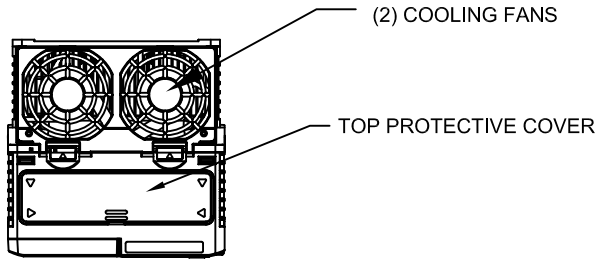
DRAWING #:
DD.V1K.FR13.N1

UNITS:
IN[mm]

SCALE:
BY VIEW

NOTE:

PROTECTIVE COVERS ARE FACTORY INSTALLED TO THE TOP AND BOTTOM OF THE DRIVE TO MEET IP20 & NEMA TYPE 1 REQUIREMENTS, RESULTING IN AN AMBIENT TEMPERATURE RATING OF 104F(40C). REMOVE THESE COVERS WHEN OPERATING THE DRIVE WITHIN A PANEL TO OBTAIN THE MAXIMUM SURROUNDING AIR TEMPERATURE RATING OF 122F(50C). REMOVING THESE COVERS RESULTS IN AN ENCLOSURE RATING OF IP00.



MODEL # CIMR-VU	VOLTAGE THREE PHASE (VAC)	OUTPUT CURRENT (A)		WEIGHT LBS (Kg)	HEAT LOSS (W)					
		ND	HD		ND (Fc=2kHz)			HD (Fc=8kHz)		
					INT	EXT	TOT	INT	EXT	TOT
2A0030FXX	208/240	30.0	25.0	8.4 (3.8)	88.9	246.4	335.3	72.2	231.5	303.7
2A0040FXX		40.0	33.0	8.4 (3.8)	112.8	266.7	379.5	82.8	248.5	321.3
4A0018FXX	380/480	17.5	14.8	8.4 (3.8)	80.1	181.2	261.3	62.7	166.0	228.7
4A0023FXX		23.0	18.0	8.4 (3.8)	107.7	213.4	321.1	78.1	207.1	285.2

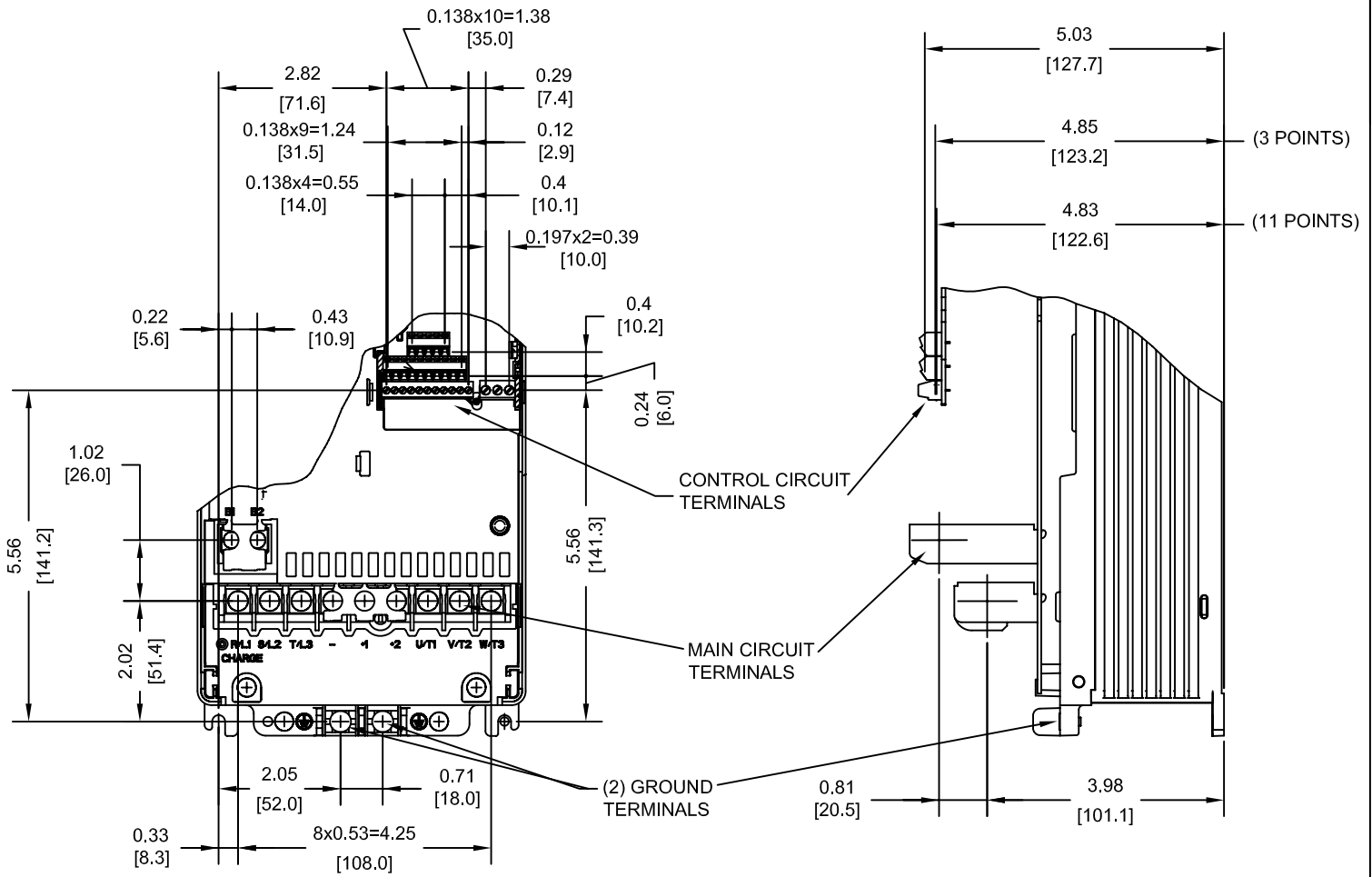
NOTE:
XX DENOTES AA-ZZ

INT=INTERNAL COMPONENTS
EXT=EXTERNAL HEATSINK
TOT=TOTAL

FOR ADDITIONAL DETAILS AND SPECIFICATIONS, CONSULT MANUAL

TOLERANCES / REFERENCES:		<p>YASKAWA The Drive for Quality™</p> <p>THIS DOCUMENT AND INFORMATION CONTAINED IN IT ARE CONFIDENTIAL, AND CANNOT BE COPIED OR DISCLOSED IN WHOLE OR IN PART WITHOUT THE EXPRESS WRITTEN CONSENT OF YASKAWA ELECTRIC AMERICA INC.</p>	DRAWN: J. MATTAS DATE 1-24-08	TITLE: V1000 DIMENSION DRAWING FRAME SIZE 14 NEMA TYPE 1 ENCLOSURE 2A0030F, 2A0040F, 4A0018F, 4A0023F
UNITS: IN[mm]	SCALE: 1:5		CHECKED: M. RUCINSKI DATE 5-7-08	DATE 5-27-08
		APPROVED: T. SASADA DATE 5-27-08	ORIGINAL DESIGN: - DATE -	DRAWING #: DD.V1K.FR14.N1
				SIZE: A REVISION: R00 PAGE: 1 of 3

TERMINAL AND WIRING DETAILS (SCALE 1:3)



TERMINAL AND WIRE SPECIFICATIONS FOR MAIN CIRCUIT AND GROUND

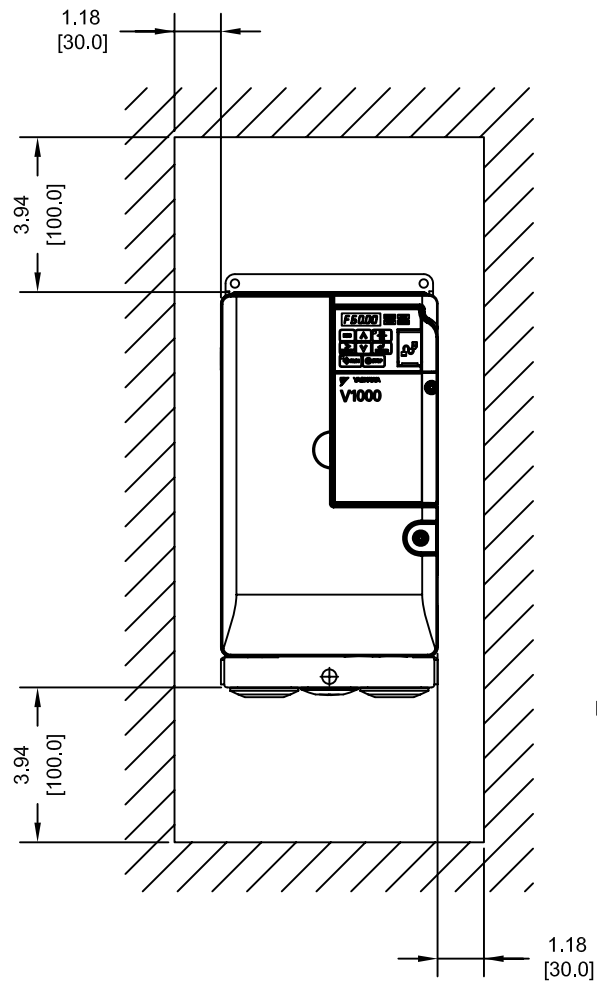
MODEL # CIMR-VU	TERMINAL SYMBOL	TERMINAL SCREW	CLAMPING TORQUE lb.in.(N.m.)	WIRE RANGE AWG(mm)
2A0030F	R/L1, S/L2, T/L3, ⊖, ⊕1, ⊕2, U/T1, V/T2, W/T3	M4	20.4 (2.3)	12-6 (3.5-14)
	B1, B2	M4	20.4 (2.3)	12-10 (3.5-5.5)
	⊕	M5	17.7-22.1 (2.0-2.5)	10-6 (5.5-14)
2A0040F	R/L1, S/L2, T/L3, ⊖, ⊕1, ⊕2, U/T1, V/T2, W/T3	M4	20.4 (2.3)	12-6 (3.5-14)
	B1, B2	M4	20.4 (2.3)	12-10 (3.5-5.5)
	⊕	M5	17.7-22.1 (2.0-2.5)	10-6 (5.5-14)
4A0018F	R/L1, S/L2, T/L3, ⊖, ⊕1, ⊕2, U/T1, V/T2, W/T3	M4	20.4 (2.3)	12-6 (3.5-14)
	B1, B2	M4	20.4 (2.3)	12-10 (3.5-5.5)
	⊕	M5	17.7-22.1 (2.0-2.5)	10-6 (5.5-14)
4A0023F	R/L1, S/L2, T/L3, ⊖, ⊕1, ⊕2, U/T1, V/T2, W/T3	M4	20.4 (2.3)	12-6 (3.5-14)
	B1, B2	M4	20.4 (2.3)	12-10 (3.5-5.5)
	⊕	M5	17.7-22.1 (2.0-2.5)	10-6 (5.5-14)

NOTE: RATINGS APPLY TO BOTH FACTORY AND FIELD WIRING
REFER TO APPLICABLE CODES FOR PROPER WIRE TYPE AND SIZE

FOR ADDITIONAL DETAILS AND SPECIFICATIONS, CONSULT MANUAL

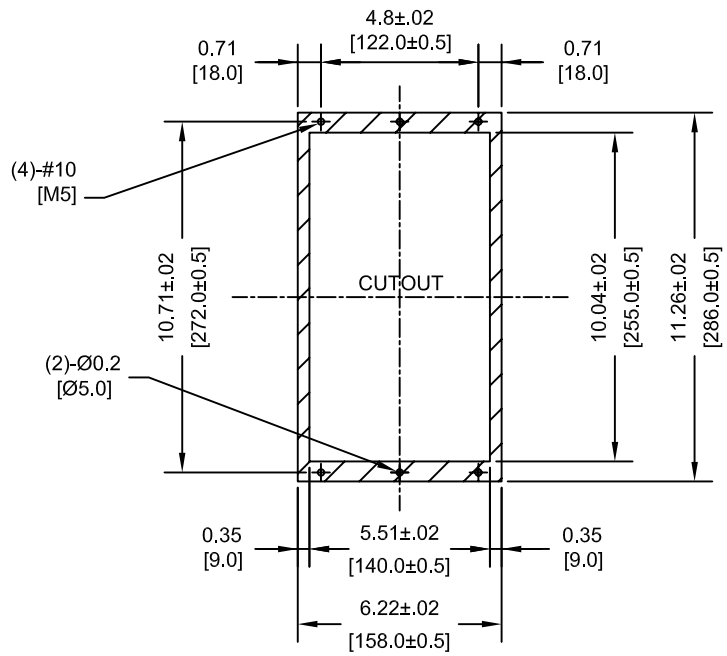
TOLERANCES / REFERENCES:		<p>THIS DOCUMENT AND INFORMATION CONTAINED IN IT ARE CONFIDENTIAL, AND CANNOT BE COPIED OR DISCLOSED IN WHOLE OR IN PART WITHOUT THE EXPRESS WRITTEN CONSENT OF YASKAWA ELECTRIC AMERICA INC.</p>	DRAWN: J. MATTAS CHECKED: M. RUCINSKI TECH: J. CAIRO APPROVED: T. SASADA ORIGINAL DESIGN: -	DATE: 1-24-08 DATE: 5-7-08 DATE: 3-25-08 DATE: 5-27-08 DATE: -	TITLE: V1000 DIMENSION DRAWING FRAME SIZE 14 NEMA TYPE 1 ENCLOSURE 2A0030F, 2A0040F, 4A0018F, 4A0023F SIZE: A REVISION: R00 PAGE: 2 of 3 DRAWING #: DD.V1K.FR14.N1
UNITS: IN[mm]	SCALE: BY VIEW				

MINIMUM INSTALLATION CLEARANCES (SCALE 1:5)



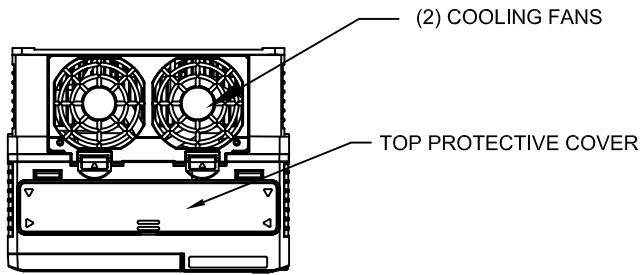
NOTE:
FOR SIDE-BY-SIDE MOUNTING
CONSULT MANUAL

PANEL CUTOUT FOR EXTERNAL HEATSINK
MOUNTING CONFIGURATION (SCALE 1:6)

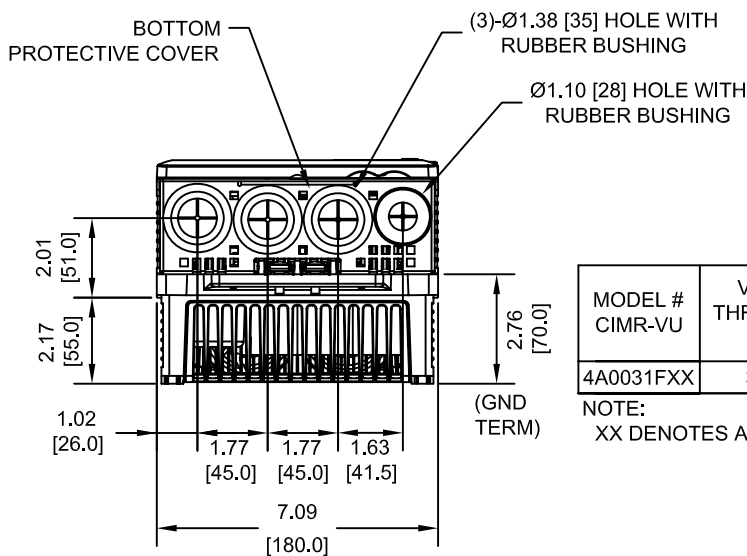
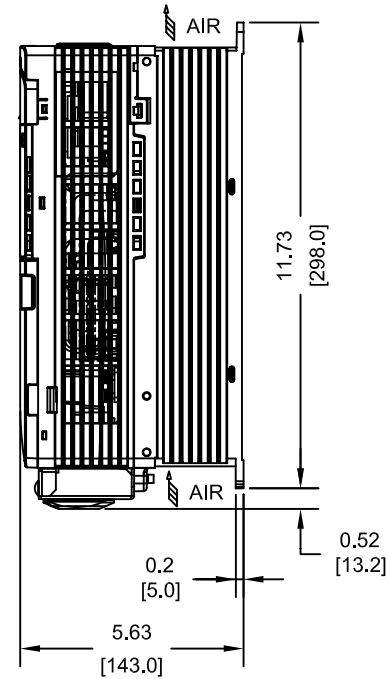
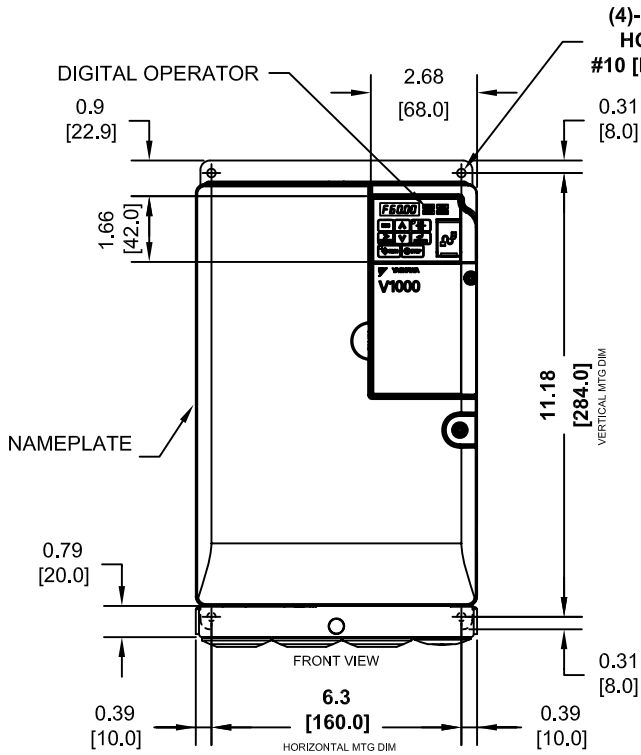


NOTES:
1. EXTERNAL HEATSINK
CONFIGURATION REQUIRES
MOUNTING KIT
2. EXPOSED HEATSINK
RECOMMENDED CLEARANCE
D=2.36" MINUS PANEL THICKNESS

TOLERANCES / REFERENCES:		<p>YASKAWA The Drive for Quality™</p>	DRAWN: J. MATTAS	DATE: 1-24-08	TITLE: V1000 DIMENSION DRAWING FRAME SIZE 14 NEMA TYPE 1 ENCLOSURE 2A0030F, 2A0040F, 4A0018F, 4A0023F
UNITS: IN[mm]			CHECKED: M. RUCINSKI	DATE: 5-7-08	
SCALE: BY VIEW		THIS DOCUMENT AND INFORMATION CONTAINED IN IT ARE CONFIDENTIAL, AND CANNOT BE COPIED OR DISCLOSED IN WHOLE OR IN PART WITHOUT THE EXPRESS WRITTEN CONSENT OF YASKAWA ELECTRIC AMERICA INC.	TECH: J. CAIRO	DATE: 3-25-08	REVISION R00
			APPROVED: T. SASADA	DATE: 5-27-08	PAGE 3 of 3
		ORIGINAL DESIGN: -	DATE: -	DRAWING #: DD.V1K.FR14.N1	



NOTE:
PROTECTIVE COVERS ARE FACTORY INSTALLED TO THE TOP AND BOTTOM OF THE DRIVE TO MEET IP20 & NEMA TYPE 1 REQUIREMENTS, RESULTING IN AN AMBIENT TEMPERATURE RATING OF 104F(40C). REMOVE THESE COVERS WHEN OPERATING THE DRIVE WITHIN A PANEL TO OBTAIN THE MAXIMUM SURROUNDING AIR TEMPERATURE RATING OF 122F(50C). REMOVING THESE COVERS RESULTS IN AN ENCLOSURE RATING OF IP00.



MODEL # CIMR-VU	VOLTAGE THREE PHASE (VAC)	OUTPUT CURRENT (A)		WEIGHT LBS (Kg)	HEAT LOSS (W)					
					ND (Fc=2kHz)			HD (Fc=8kHz)		
		ND	HD		INT	EXT	TOT	INT	EXT	TOT
4A0031FXX	380/480	31.0	24.0	11.4 (5.2)	146.1	287.5	433.6	105.9	266.9	372.8

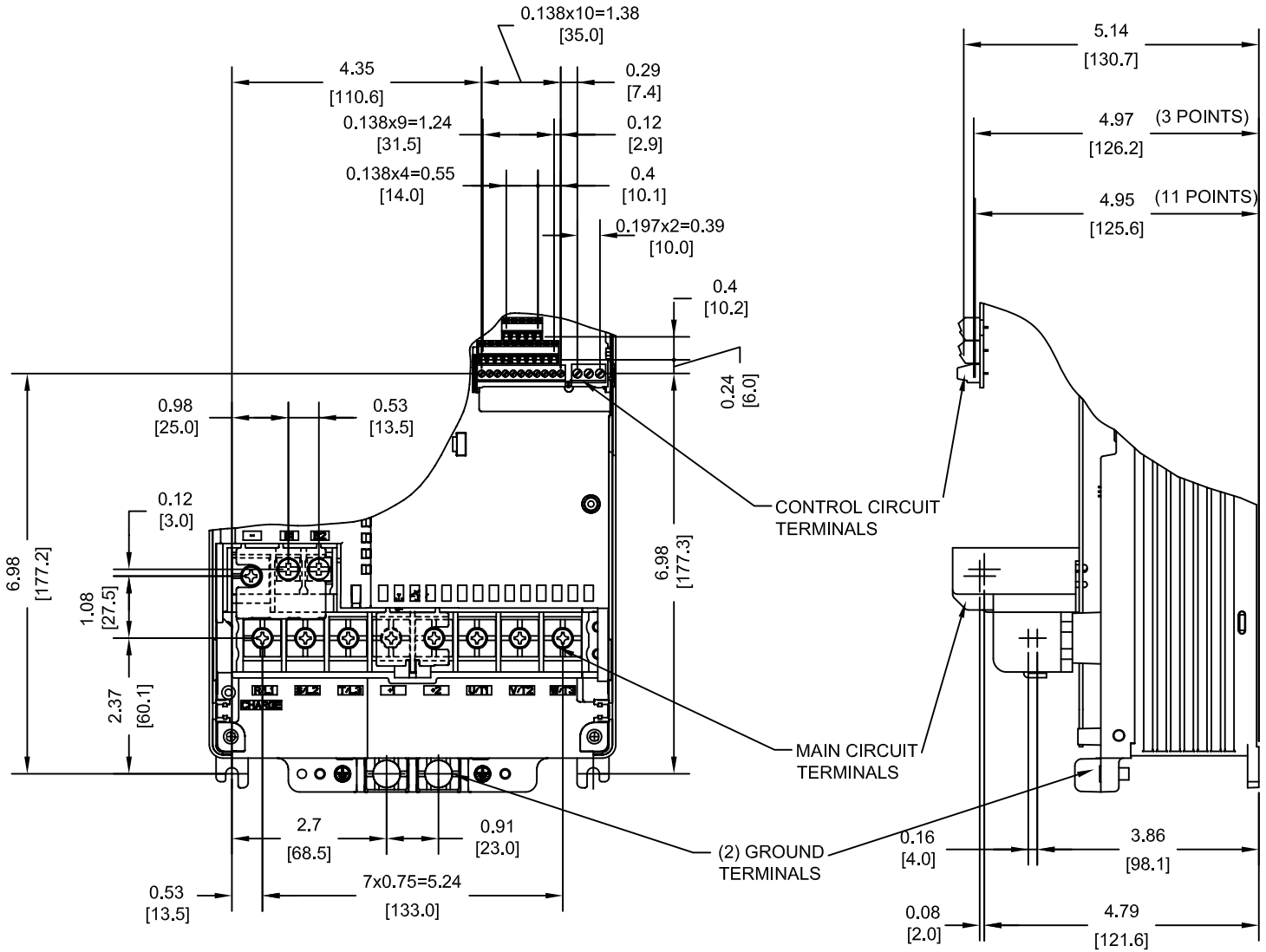
NOTE:
XX DENOTES AA-ZZ

INT=INTERNAL COMPONENTS
EXT=EXTERNAL HEATSINK
TOT=TOTAL

FOR ADDITIONAL DETAILS AND SPECIFICATIONS, CONSULT MANUAL

TOLERANCES / REFERENCES:		<p>YASKAWA The Drive for Quality™</p> <p><i>THIS DOCUMENT AND INFORMATION CONTAINED IN IT ARE CONFIDENTIAL, AND CANNOT BE COPIED OR DISCLOSED IN WHOLE OR IN PART WITHOUT THE EXPRESS WRITTEN CONSENT OF YASKAWA ELECTRIC AMERICA INC.</i></p>	DRAWN: J. MATTAS DATE: 2-5-08	TITLE: V1000 DIMENSION DRAWING FRAME SIZE 15 NEMA TYPE 1 ENCLOSURE 4A0031F
UNITS: IN[mm]	SCALE: 1:5		CHECKED: M. RUCINSKI DATE: 5-7-08	REVISION R00
		TECH: J. CAIRO DATE: 3-27-08	PAGE 1 of 3	
		APPROVED: T. SASADA DATE: 5-27-08	DRAWING #: DD.V1K.FR15.N1	
		ORIGINAL DESIGN: -	DATE: -	

TERMINAL AND WIRING DETAILS (SCALE 1:3)



TERMINAL AND WIRE SPECIFICATIONS FOR
MAIN CIRCUIT AND GROUND

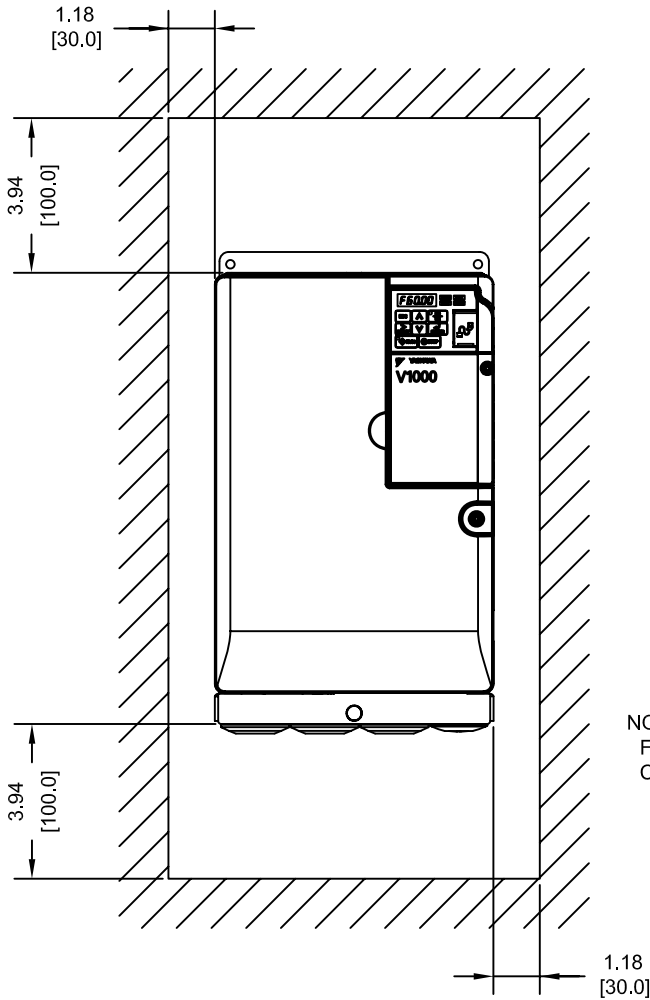
MODEL # CIMR-VU	TERMINAL SYMBOL	TERMINAL SCREW	CLAMPING TORQUE lb.in.(N.m.)	WIRE RANGE AWG(mm ²)
4A0031F	R/L1, S/L2, T/L3, Ⓞ, Ⓞ1, Ⓞ2, U/T1, V/T2, W/T3, B1, B2	M5	17.7 TO 22.1 (2.0 TO 2.5)	10-6 (5.5-14)
	Ⓞ	M6	35.4 TO 53.1 (4 TO 6)	10-6 (5.5-14)

NOTE: RATINGS APPLY TO BOTH FACTORY AND FIELD WIRING
REFER TO APPLICABLE CODES FOR PROPER WIRE TYPE AND SIZE

FOR ADDITIONAL DETAILS AND SPECIFICATIONS, CONSULT MANUAL

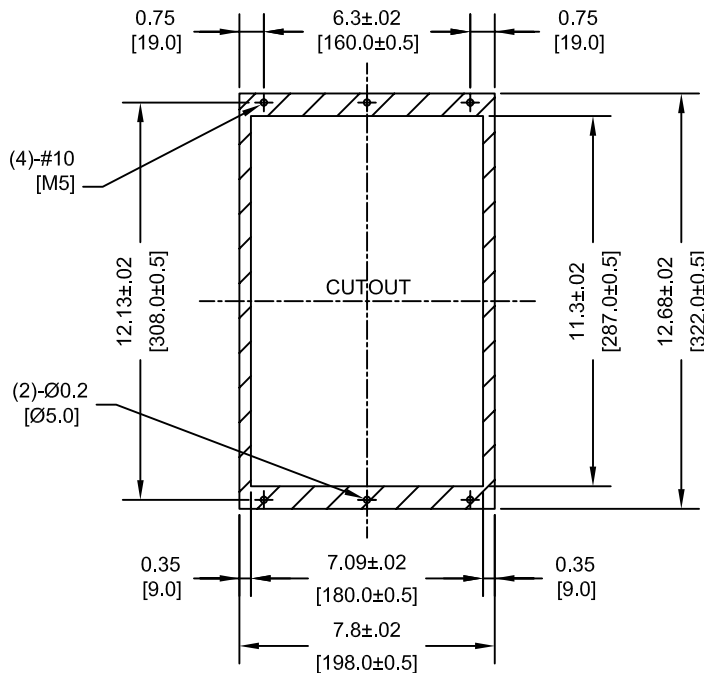
TOLERANCES / REFERENCES:		<p>YASKAWA The Drive for Quality™</p>	DRAWN: J. MATTAS DATE: 2-5-08	TITLE: V1000 DIMENSION DRAWING FRAME SIZE 15 NEMA TYPE 1 ENCLOSURE 4A0031F
UNITS: IN[mm]			CHECKED: M. RUCINSKI DATE: 5-7-08	DATE: 3-27-08
SCALE: BY VIEW		THIS DOCUMENT AND INFORMATION CONTAINED IN IT ARE CONFIDENTIAL, AND CANNOT BE COPIED OR DISCLOSED IN WHOLE OR IN PART WITHOUT THE EXPRESS WRITTEN CONSENT OF YASKAWA ELECTRIC AMERICA INC.	TECH: J. CAIRO DATE: 3-27-08	REVISION R00
		APPROVED: T. SASADA DATE: 5-27-08	DATE: 5-27-08	PAGE 2 of 3
		ORIGINAL DESIGN: -	DATE: -	DRAWING #: DD.V1K.FR15.N1

MINIMUM INSTALLATION CLEARANCES (SCALE 1:5)



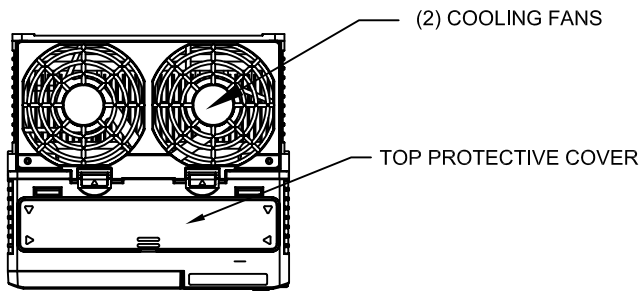
NOTE:
FOR SIDE-BY-SIDE MOUNTING
CONSULT MANUAL

PANEL CUTOUT FOR EXTERNAL HEATSINK
MOUNTING CONFIGURATION (SCALE 1:6)

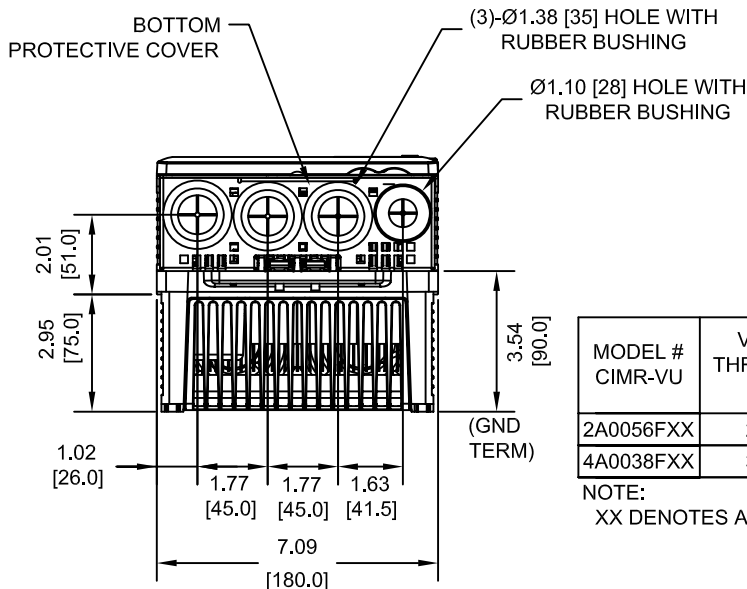
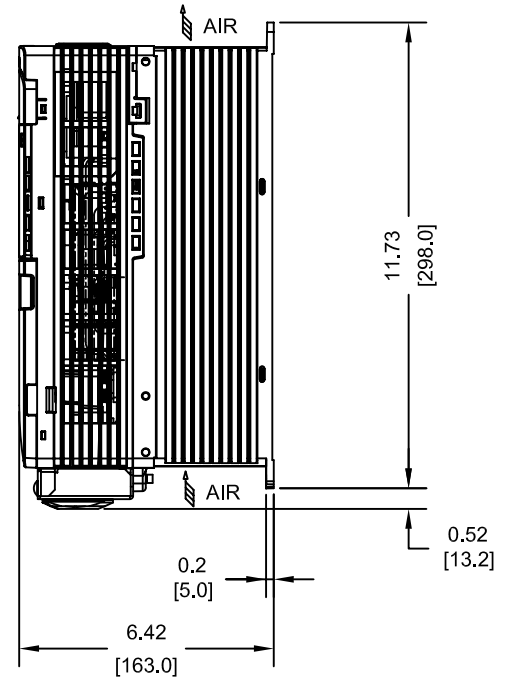
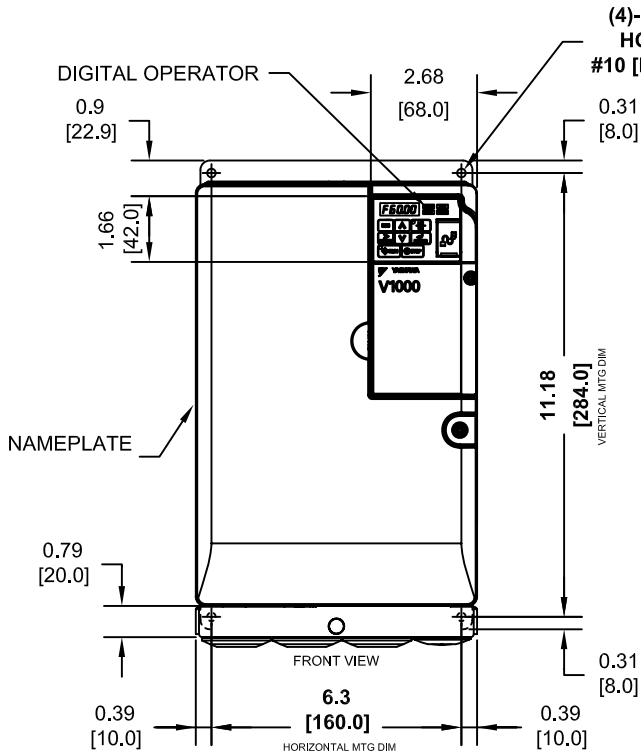


NOTES:
1. EXTERNAL HEATSINK
CONFIGURATION REQUIRES
MOUNTING KIT
2. EXPOSED HEATSINK
RECOMMENDED CLEARANCE
D=2.36" MINUS PANEL THICKNESS

TOLERANCES / REFERENCES:		<p>YASKAWA The Drive for Quality™</p> <p>THIS DOCUMENT AND INFORMATION CONTAINED IN IT ARE CONFIDENTIAL, AND CANNOT BE COPIED OR DISCLOSED IN WHOLE OR IN PART WITHOUT THE EXPRESS WRITTEN CONSENT OF YASKAWA ELECTRIC AMERICA INC.</p>	DRAWN: J. MATTAS DATE: 2-5-08	TITLE: V1000 DIMENSION DRAWING FRAME SIZE 15 NEMA TYPE 1 ENCLOSURE 4A0031F
			CHECKED: M. RUCINSKI DATE: 5-7-08	REVISION R00
			TECH: J. CAIRO DATE: 3-27-08	PAGE 3 of 3
			APPROVED: T. SASADA DATE: 5-27-08	DRAWING #: DD.V1K.FR15.N1
UNITS: IN[mm]	SCALE: BY VIEW	ORIGINAL DESIGN:	DATE:	



NOTE:
 PROTECTIVE COVERS ARE FACTORY INSTALLED TO THE TOP AND BOTTOM OF THE DRIVE TO MEET IP20 & NEMA TYPE 1 REQUIREMENTS, RESULTING IN AN AMBIENT TEMPERATURE RATING OF 104F(40C). REMOVE THESE COVERS WHEN OPERATING THE DRIVE WITHIN A PANEL TO OBTAIN THE MAXIMUM SURROUNDING AIR TEMPERATURE RATING OF 122F(50C). REMOVING THESE COVERS RESULTS IN AN ENCLOSURE RATING OF IP00.



MODEL # CIMR-VU	VOLTAGE THREE PHASE (VAC)	OUTPUT CURRENT (A)		WEIGHT LBS (Kg)	HEAT LOSS (W)					
					ND (Fc=2kHz)			HD (Fc=8kHz)		
		ND	HD		INT	EXT	TOT	INT	EXT	TOT
2A0056FXX	208/240	56.0	47.0	12.1 (5.5)	151.8	357.9	509.7	117.6	347.6	465.2
4A0038FXX	380/480	38.0	31.0	12.1 (5.5)	155.8	319.2	475.0	126.6	319.1	445.7

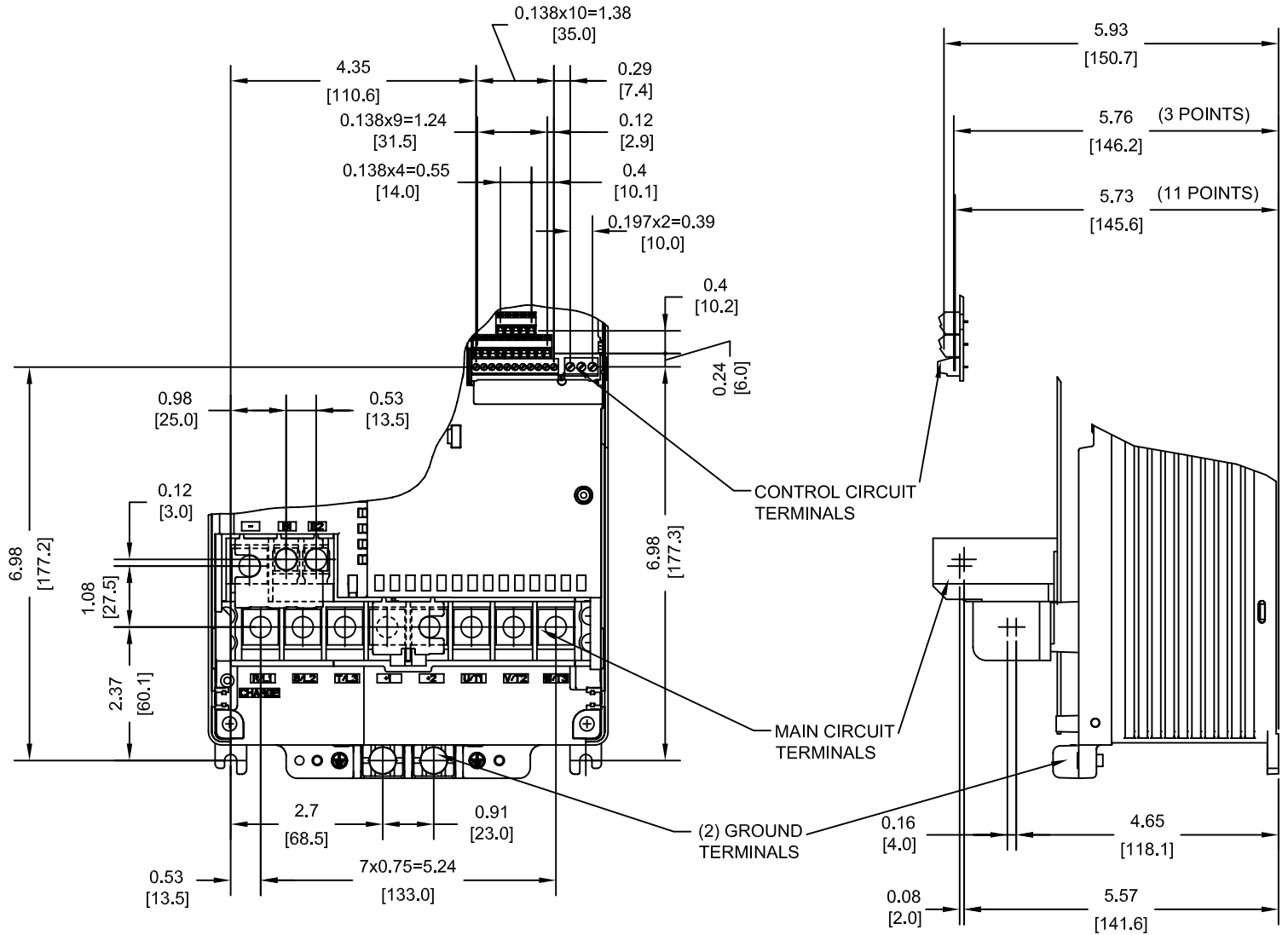
NOTE:
 XX DENOTES AA-ZZ

INT=INTERNAL COMPONENTS
 EXT=EXTERNAL HEATSINK
 TOT=TOTAL

FOR ADDITIONAL DETAILS AND SPECIFICATIONS, CONSULT MANUAL

TOLERANCES / REFERENCES:		<p>YASKAWA The Drive for Quality™</p>	DRAWN: J. MATTAS	DATE 2-7-08	TITLE: V1000 DIMENSION DRAWING
UNITS: IN[mm]			SCALE: 1:5	CHECKED: M. RUCINSKI	DATE 5-7-08
THIS DOCUMENT AND INFORMATION CONTAINED IN IT ARE CONFIDENTIAL, AND CANNOT BE COPIED OR DISCLOSED IN WHOLE OR IN PART WITHOUT THE EXPRESS WRITTEN CONSENT OF YASKAWA ELECTRIC AMERICA INC.			TECH: J. CAIRO	DATE 3-27-08	NEMA TYPE 1 ENCLOSURE
			APPROVED: T. SASADA	DATE 5-27-08	2A0056F AND 4A0038F
			ORIGINAL DESIGN: -	DATE -	SIZE A
					REVISION R00
					PAGE 1 of 3
					DRAWING #: DD.V1K.FR16.N1

TERMINAL AND WIRING DETAILS (SCALE 1:3)




TERMINAL AND WIRE SPECIFICATIONS FOR
MAIN CIRCUIT AND GROUND

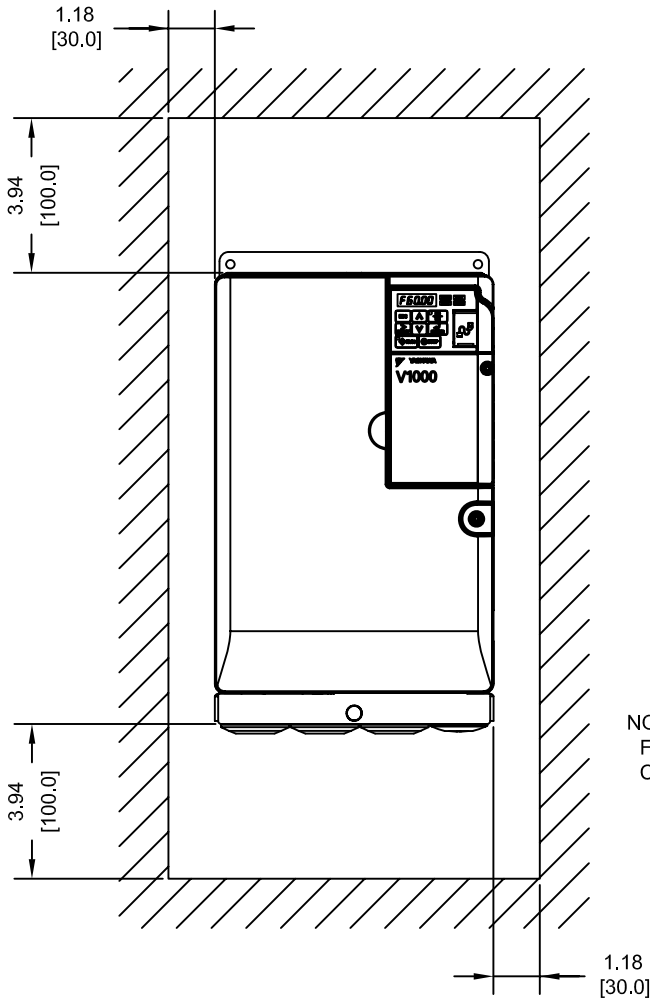
MODEL # CIMR-VU	TERMINAL SYMBOL	TERMINAL SCREW	CLAMPING TORQUE lb.in.(N.m.)	WIRE RANGE AWG(mm ²)
2A0056F	R/L1, S/L2, T/L3, ⊖, ⊕1, ⊕2, U/T1, V/T2, W/T3	M6	35.4 TO 53.1 (4 TO 6)	6-4 (14-22)
	B1, B2	M5	17.7 TO 22.1 (2 TO 2.5)	10-6 (5.5-14)
	⊕	M6	35.4 TO 53.1 (4 TO 6)	6-4 (14-22)
4A0038F	R/L1, S/L2, T/L3, ⊖, ⊕1, ⊕2, U/T1, V/T2, W/T3, B1, B2	M5	17.7 TO 22.1 (2 TO 2.5)	10-6 (5.5-14)
	⊕	M6	35.4 TO 53.1 (4 TO 6)	10-6 (5.5-14)

NOTE: RATINGS APPLY TO BOTH FACTORY AND FIELD WIRING
REFER TO APPLICABLE CODES FOR PROPER WIRE TYPE AND SIZE

FOR ADDITIONAL DETAILS AND SPECIFICATIONS, CONSULT MANUAL

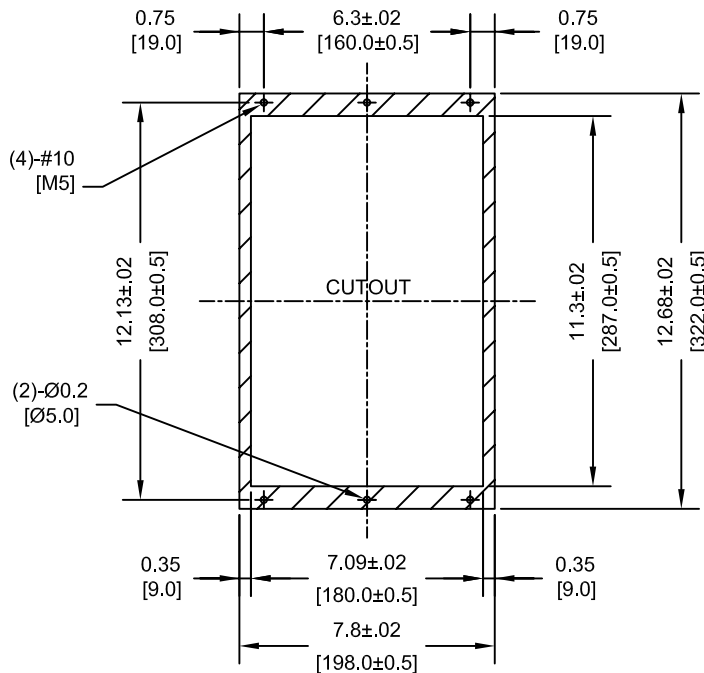
TOLERANCES / REFERENCES:	 YASKAWA The Drive for Quality™	DRAWN: J. MATTAS	DATE 2-7-08	TITLE: V1000 DIMENSION DRAWING		
		CHECKED: M. RUCINSKI	DATE 5-7-08	FRAME SIZE 16		
UNITS: IN[mm]	SCALE: BY VIEW	THIS DOCUMENT AND INFORMATION CONTAINED IN IT ARE CONFIDENTIAL, AND CANNOT BE COPIED OR DISCLOSED IN WHOLE OR IN PART WITHOUT THE EXPRESS WRITTEN CONSENT OF YASKAWA ELECTRIC AMERICA INC.			NEMA TYPE 1 ENCLOSURE	
		TECH: J. CAIRO			DATE 3-27-08	2A0056F AND 4A0038F
		APPROVED: T. SASADA	DATE 5-27-08	SIZE A	REVISION R00	PAGE 2 of 3
		ORIGINAL DESIGN: -	DATE -	DRAWING #: DD.V1K.FR16.N1		

MINIMUM INSTALLATION CLEARANCES (SCALE 1:5)



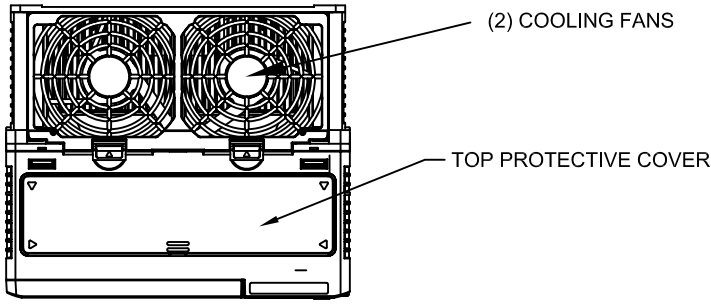
NOTE:
FOR SIDE-BY-SIDE MOUNTING
CONSULT MANUAL

PANEL CUTOUT FOR EXTERNAL HEATSINK
MOUNTING CONFIGURATION (SCALE 1:6)

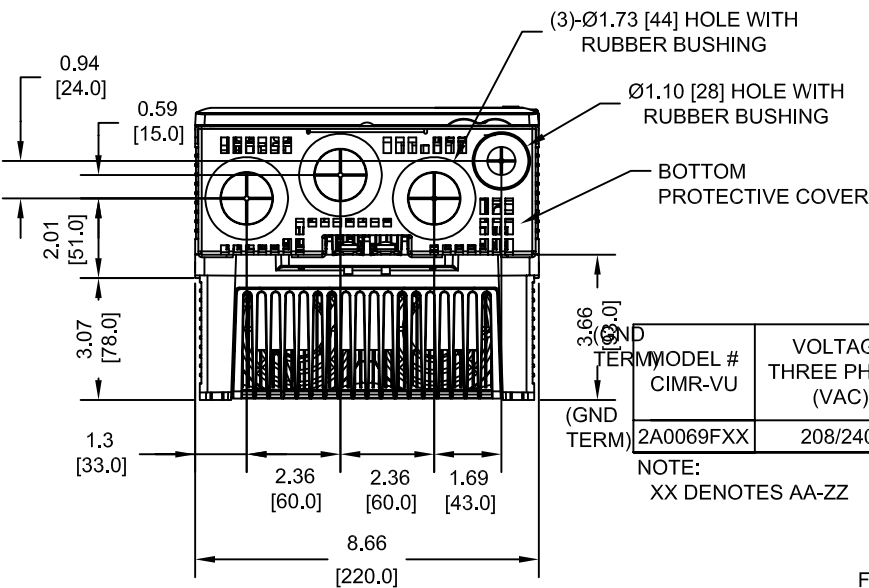
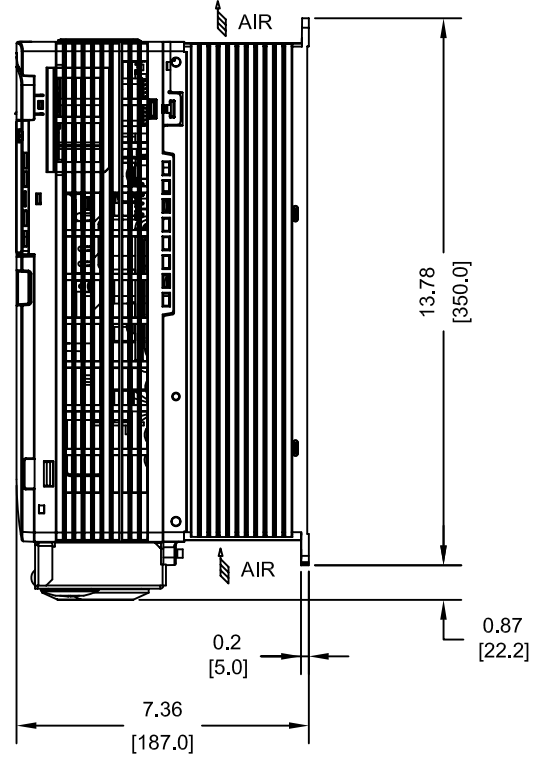
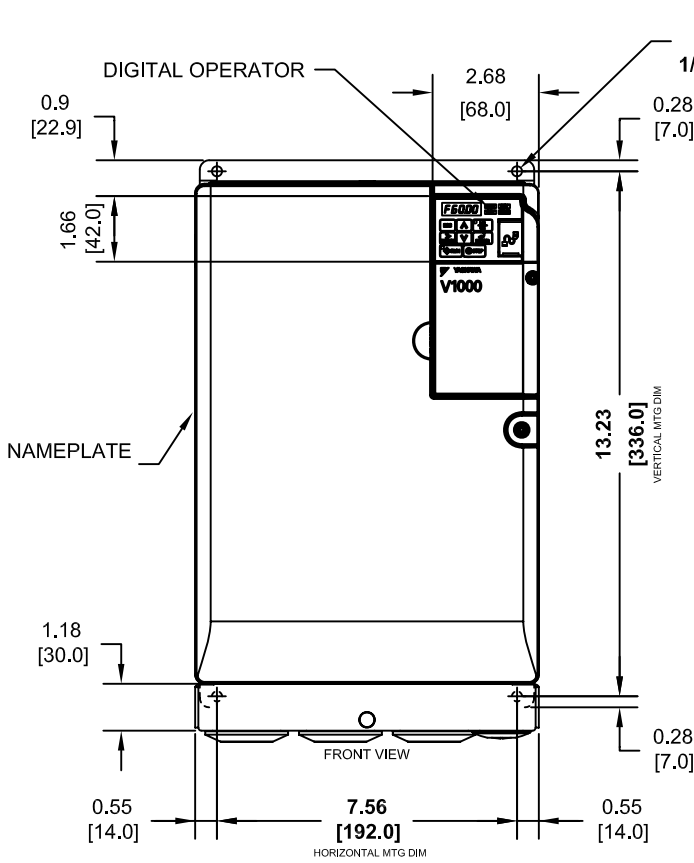


NOTES:
1. EXTERNAL HEATSINK
CONFIGURATION REQUIRES
MOUNTING KIT
2. EXPOSED HEATSINK
RECOMMENDED CLEARANCE
D=3.15" MINUS PANEL THICKNESS

TOLERANCES / REFERENCES:		<p>YASKAWA The Drive for Quality™</p> <p>THIS DOCUMENT AND INFORMATION CONTAINED IN IT ARE CONFIDENTIAL, AND CANNOT BE COPIED OR DISCLOSED IN WHOLE OR IN PART WITHOUT THE EXPRESS WRITTEN CONSENT OF YASKAWA ELECTRIC AMERICA INC.</p>	DRAWN: J. MATTAS DATE 2-7-08	TITLE: V1000 DIMENSION DRAWING FRAME SIZE 16 NEMA TYPE 1 ENCLOSURE 2A0056F AND 4A0038F
			CHECKED: M. RUCINSKI DATE 5-7-08	DATE 3-27-08
			TECH: J. CAIRO DATE 5-27-08	DATE 5-27-08
			APPROVED: T. SASADA DATE -	DATE -
UNITS: IN[mm]	SCALE: BY VIEW		ORIGINAL DESIGN: -	DRAWING #: DD.V1K.FR16.N1
			SIZE A	REVISION R00
			PAGE 3 of 3	



NOTE:
 PROTECTIVE COVERS ARE FACTORY INSTALLED TO THE TOP AND BOTTOM OF THE DRIVE TO MEET IP20 & NEMA TYPE 1 REQUIREMENTS, RESULTING IN AN AMBIENT TEMPERATURE RATING OF 104F(40C). REMOVE THESE COVERS WHEN OPERATING THE DRIVE WITHIN A PANEL TO OBTAIN THE MAXIMUM SURROUNDING AIR TEMPERATURE RATING OF 122F(50C). REMOVING THESE COVERS RESULTS IN AN ENCLOSURE RATING OF IP00.



MODEL # CIMR-VU	VOLTAGE THREE PHASE (VAC)	OUTPUT CURRENT (A)		WEIGHT LBS (Kg)	HEAT LOSS (W)					
		ND	HD		ND (Fc=2kHz)			HD (Fc=8kHz)		
					INT	EXT	TOT	INT	EXT	TOT
2A0069FXX	208/240	69.0	60.0	20.2 (9.2)	184.5	461.7	646.2	151.4	437.7	589.1

NOTE:
 XX DENOTES AA-ZZ

INT=INTERNAL COMPONENTS
 EXT=EXTERNAL HEATSINK
 TOT=TOTAL

FOR ADDITIONAL DETAILS AND SPECIFICATIONS, CONSULT MANUAL

TOLERANCES / REFERENCES:



THIS DOCUMENT AND INFORMATION CONTAINED IN IT ARE CONFIDENTIAL, AND CANNOT BE COPIED OR DISCLOSED IN WHOLE OR IN PART WITHOUT THE EXPRESS WRITTEN CONSENT OF YASKAWA ELECTRIC AMERICA INC.

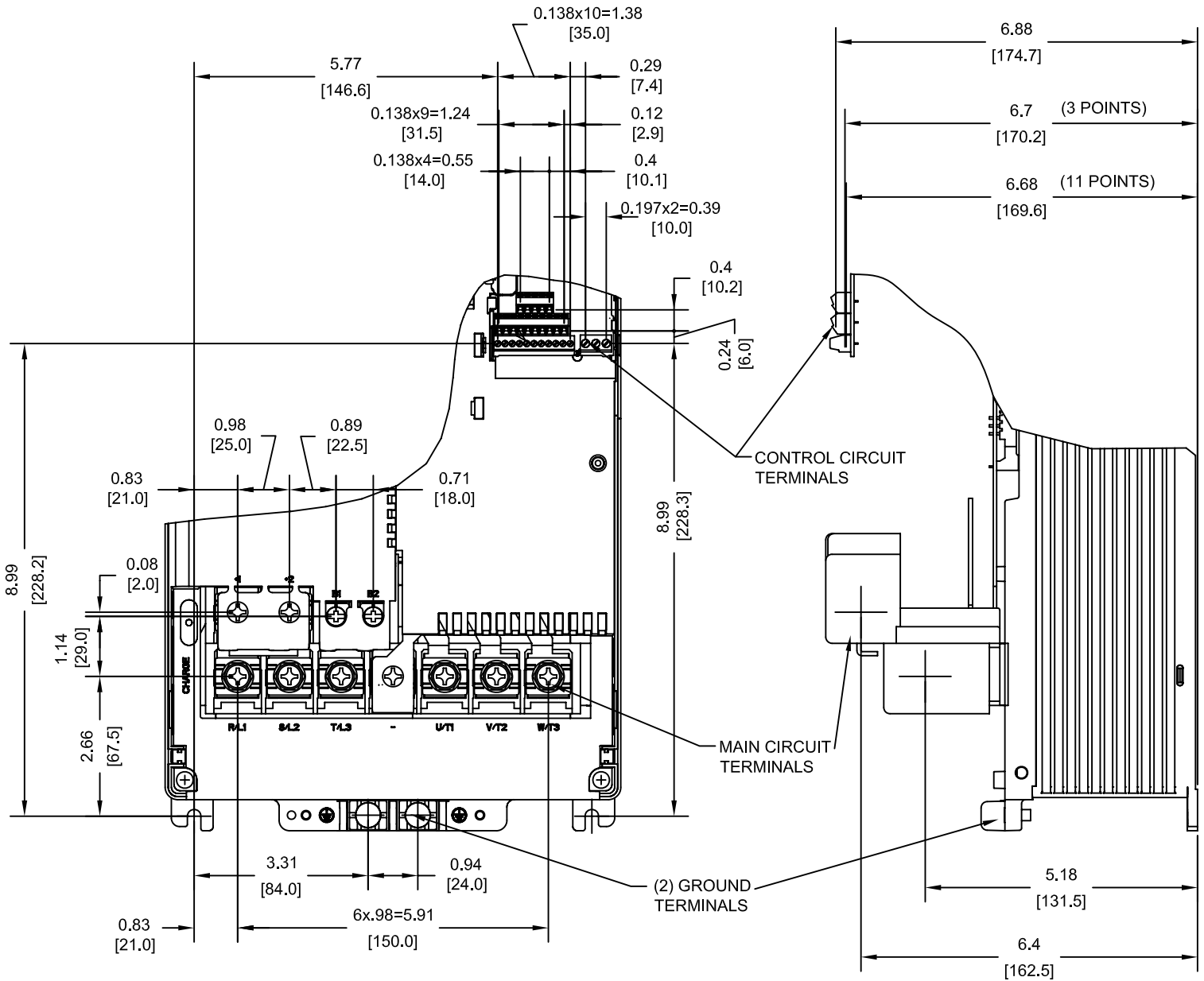
DRAWN: J. MATTAS	DATE 2-12-08
CHECKED: M. RUCINSKI	DATE 5-7-08
TECH: J. CAIRO	DATE 3-27-08
APPROVED: T. SASADA	DATE 5-27-08
ORIGINAL DESIGN: -	DATE -

TITLE: V1000 DIMENSION DRAWING		
FRAME SIZE 17		
NEMA TYPE 1 ENCLOSURE		
2A0069F		
SIZE A	REVISION R00	PAGE 1 of 3
DRAWING #: DD.V1K.FR17.N1		

UNITS:
IN [mm]

SCALE:
1:5

TERMINAL AND WIRING DETAILS (SCALE 1:3)



TERMINAL AND WIRE SPECIFICATIONS FOR
MAIN CIRCUIT AND GROUND

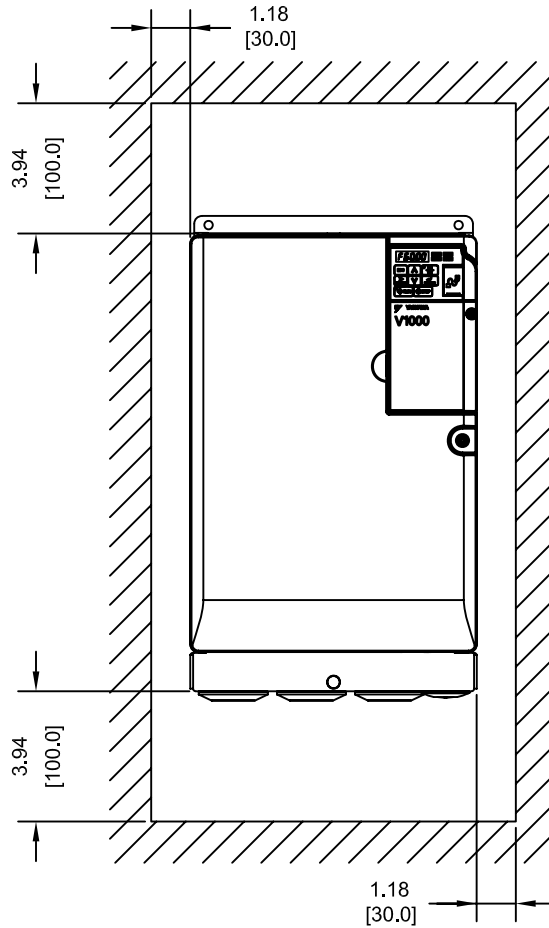
MODEL # CIMR-VU	TERMINAL SYMBOL	TERMINAL SCREW	CLAMPING TORQUE lb.in.(N.m.)	WIRE RANGE AWG(mm ²)
2A0069F	R/L1, S/L2, T/L3, Ⓞ, ⊕1, ⊕2, U/T1, V/T2, W/T3	M8	79.7 TO 97.4 (9 TO 11)	10-2 (5.5-38)
	B1, B2	M5	17.7 TO 22.1 (2 TO 2.5)	8-6 (8-14)
	Ⓞ	M6	35.4 TO 53.1 (4 TO 6)	8-4 (8-22)

NOTE: RATINGS APPLY TO BOTH FACTORY AND FIELD WIRING
REFER TO APPLICABLE CODES FOR PROPER WIRE TYPE AND SIZE

FOR ADDITIONAL DETAILS AND SPECIFICATIONS, CONSULT MANUAL

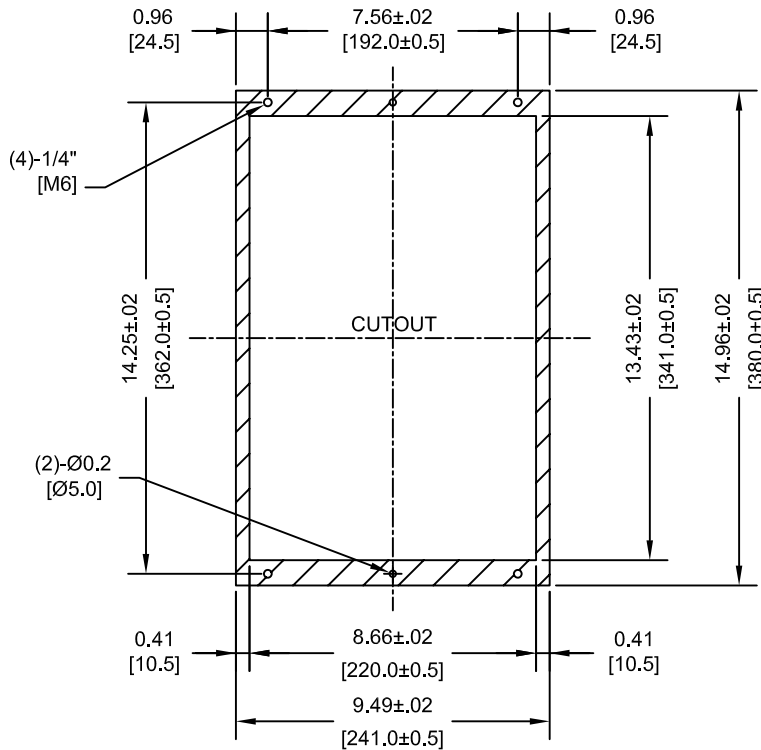
TOLERANCES / REFERENCES:			DRAWN: J. MATTAS	DATE: 2-12-08	TITLE: V1000 DIMENSION DRAWING FRAME SIZE 17 NEMA TYPE 1 ENCLOSURE 2A0069F
UNITS: IN[mm]			SCALE: BY VIEW	CHECKED: M. RUCINSKI	
THIS DOCUMENT AND INFORMATION CONTAINED IN IT ARE CONFIDENTIAL, AND CANNOT BE COPIED OR DISCLOSED IN WHOLE OR IN PART WITHOUT THE EXPRESS WRITTEN CONSENT OF YASKAWA ELECTRIC AMERICA INC.			TECH: J. CAIRO	DATE: 3-27-08	REVISION R00
			APPROVED: T. SASADA	DATE: 5-27-08	
			ORIGINAL DESIGN: -	DATE: -	DRAWING #: DD.V1K.FR17.N1

MINIMUM INSTALLATION CLEARANCES (SCALE 1:6)



NOTE:
FOR SIDE-BY-SIDE MOUNTING
CONSULT MANUAL

PANEL CUTOUT FOR EXTERNAL HEATSINK
MOUNTING CONFIGURATION (SCALE 1:6)



NOTES:
1. EXTERNAL HEATSINK
CONFIGURATION REQUIRES
MOUNTING KIT
2. EXPOSED HEATSINK
RECOMMENDED CLEARANCE
D=3.35" MINUS PANEL THICKNESS

TOLERANCES / REFERENCES:		<p>YASKAWA The Drive for Quality™</p> <p><i>THIS DOCUMENT AND INFORMATION CONTAINED IN IT ARE CONFIDENTIAL, AND CANNOT BE COPIED OR DISCLOSED IN WHOLE OR IN PART WITHOUT THE EXPRESS WRITTEN CONSENT OF YASKAWA ELECTRIC AMERICA INC.</i></p>	DRAWN: J. MATTAS CHECKED: M. RUCINSKI TECH: J. CAIRO APPROVED: T. SASADA ORIGINAL DESIGN: -	DATE: 2-12-08 DATE: 5-7-08 DATE: 3-27-08 DATE: 5-27-08 DATE: -	TITLE: V1000 DIMENSION DRAWING FRAME SIZE 17 NEMA TYPE 1 ENCLOSURE 2A0069F
UNITS: IN[mm]	SCALE: BY VIEW		SIZE A	REVISION R00	PAGE 3 of 3
			DRAWING #: DD.V1K.FR17.N1		